



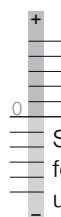
# 2.9

## Namur Valves

*Namur 1/4" also called "Namur 1" in accordance to VDI/VDE 3845. Namur 1/2" also called "Namur 2".*



Selected models are available for low temperature application.  
Temperature-range: - 50° C to + 50° C.  
For detailed information refer to chapter 2.11.

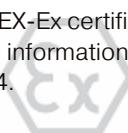


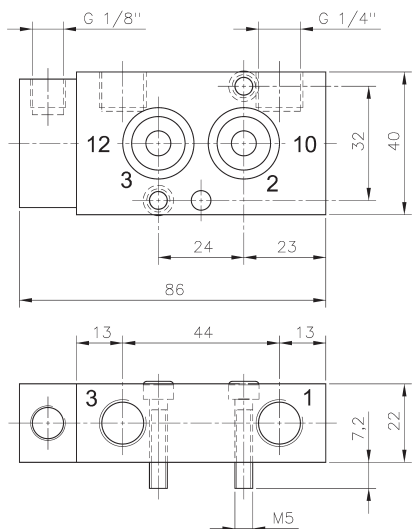
Selected models can be equipped for high temperature environments up to 80 °C, DC only!



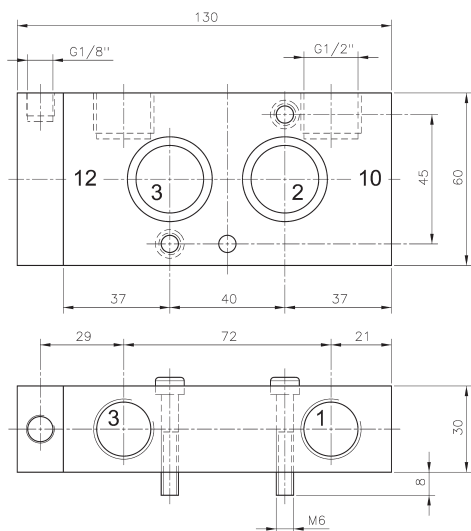
Selected models are available in stainless steel.  
For detailed information refer to chapter 2.12.

Selected models are available for explosion hazardous environment. They are ATEX-Ex certified.  
For detailed information refer to chapter 2.14.

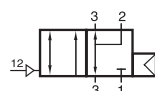




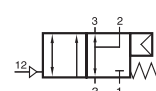
**PN 310 701/PN 311 701**



**PN 310 121**



PN 310 701  
PN 310 121



PN 311 701



Pneumatically actuated 3/2-way spool valve. Interface according to NAMUR-standard with exhaust recirculation („purge“).



PN 310 701 and PN 310 121 with pneumatic spring. For valves with pure pneumatic spring operating and actuation pressure should be at the same level. PN 311 701 with combined mechanical and pneumatic spring return.

Port sizes type 701: 1 and 3: G 1/4"  
12: G 1/8"

Port sizes type 121: 1 and 3: G 1/2"  
12: G 1/8"

Delivery includes 1 pin, 2 screws, 2 O-rings.

*NPT ported valves are available on request.*

Type	NAMUR Port size	Air flow	Operating press.	Actuation press.	Weight
PN 310 701	1/4" G 1/4" - G 1/8"	1250 l/min	2 - 10 bar	the same	0,20 kg 
PN 311 701	1/4" G 1/4" - G 1/8"	1250 l/min	3 - 10 bar	3 - 10 bar	0,20 kg 
PN 310 121	1/2" G 1/2" - G 1/8"	3000 l/min	1 - 10 bar	the same	0,62 kg 