

# 2.5

## Solenoid Valves



Selected models are available for low temperature application.  
Temperature-range: - 50° C to + 50° C.  
For detailed information refer to chapter 2.11.



Selected models are available with high flow and low power consumption. For detailed information refer to page 100.

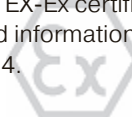


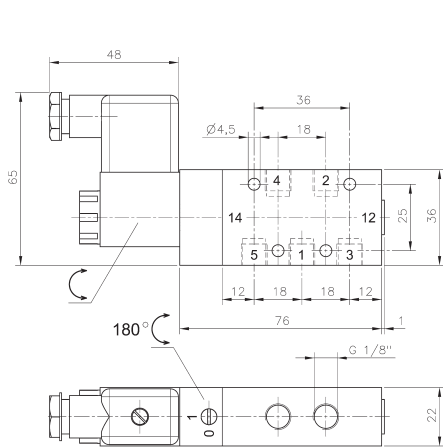
Selected models are available in stainless steel.  
For detailed information refer to chapter 2.12.



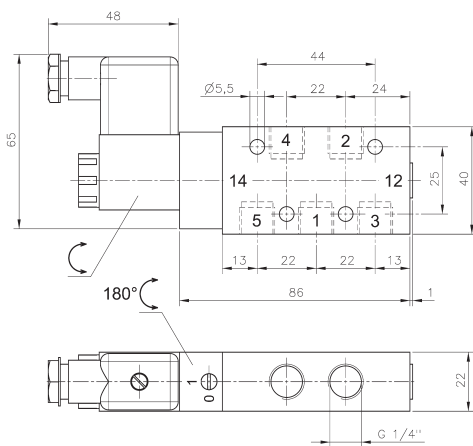
Selected models can be equipped for high temperature environments up to 80 °C, DC only!

Selected models are available for explosion hazardous environment. They are ATEX-Ex certified. For detailed information refer to chapter 2.14.

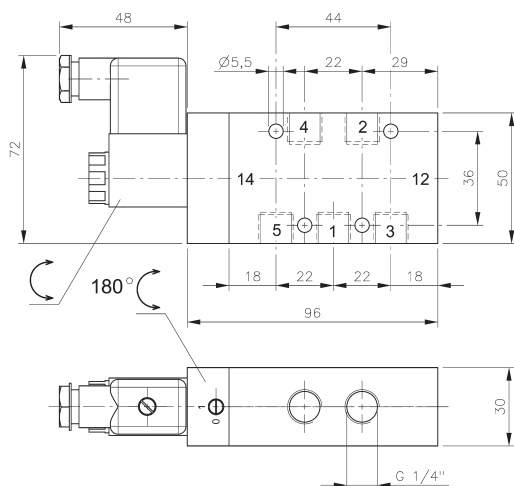




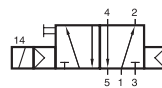
**MH 510 501**



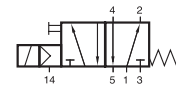
**MH 510 701**



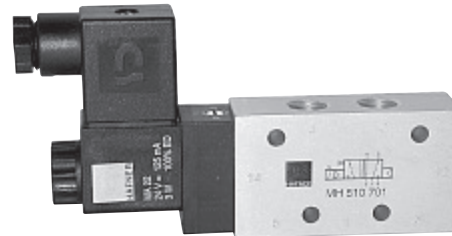
**MH 510 801**



MH 510 501  
MH 510 701  
MH 510 801



MEH 511 501  
MEH 511 701  
MEH 511 801



5/2-way solenoid valve actuated by permanent signal and equipped with air spring return.

Available with solenoid operators:  
230V/50Hz, 110V/50Hz, 24V/50Hz, 48V=,  
24V=, 12V=.

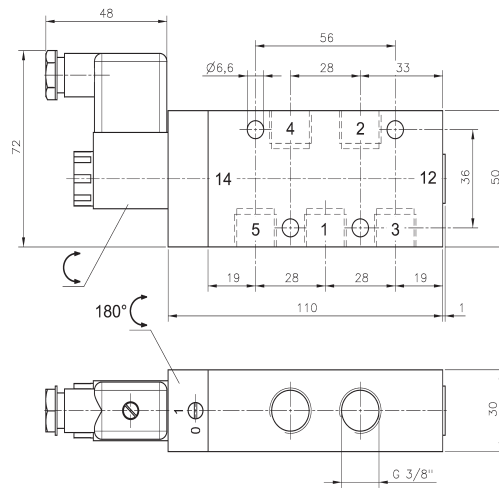
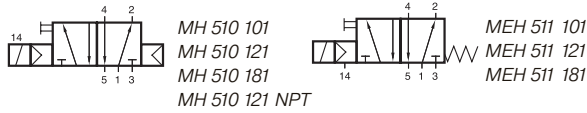
Valves are generally equipped with manual override.  
If requested without manual override please order  
M 510 \_\_\_\_.

Valves are also available with external pilot feed.  
Type: MEH 511 \_\_\_\_.  
Port 14 series 501 and 701 M5, series 801 G 1/8".  
Minimum actuation pressure: 3 bar.  
Operating pressure: 0 - 10 bar.

Version for vacuum on request.

Type	Port size	Air flow	Operating press.	Power consumption	Weight
MH 510 501	G 1/8"	650 l/min	2 - 10 bar	3 W = / 5 VA ~	0,23 kg
MH 510 701	G 1/4"	1250 l/min	2 - 10 bar	3 W = / 5 VA ~	0,25 kg  MK
MH 510 801	G 1/4"	1450 l/min	1,5 - 10 bar	3 W = / 5 VA ~	0,48 kg

# MH 510 101/MH 510 121/MH 510 181



**MH 510 101**

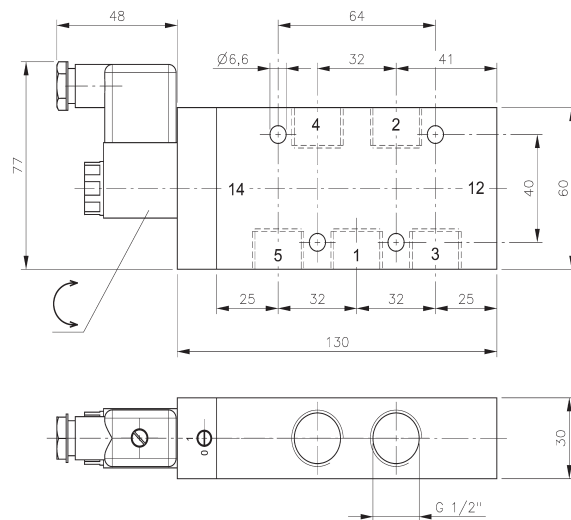
5/2-way solenoid valve actuated by permanent signal and equipped with air spring return.

Available with solenoid operators:  
230V/50Hz, 110V/50Hz, 24V/50Hz, 48V=, 24V=, 12V=.

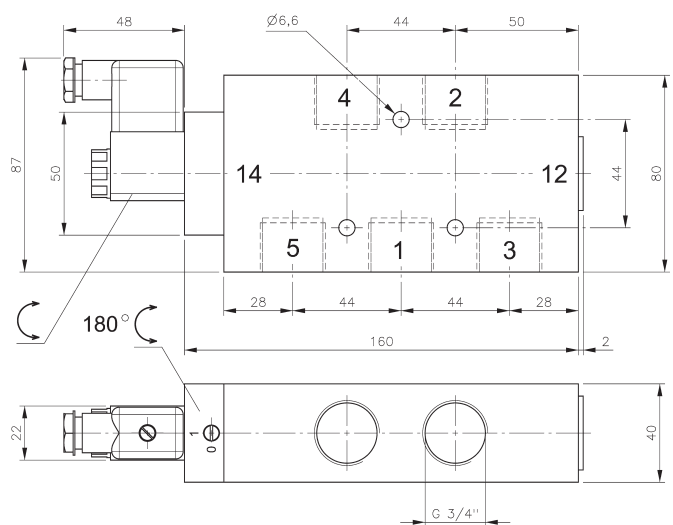
Valves are generally equipped with manual override. If requested without manual override please order M 510 \_\_\_\_.

Valves are also available with external pilot feed.  
Type: MEH 511 \_\_\_\_.  
Port 14: G 1/8".  
Minimum actuation pressure: 3 bar.  
Operating pressure: 0 - 10 bar.

Version for vacuum on request.



**MH 510 121/MH 510 121 NPT**

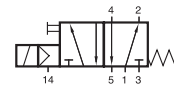


**MH 510 181**

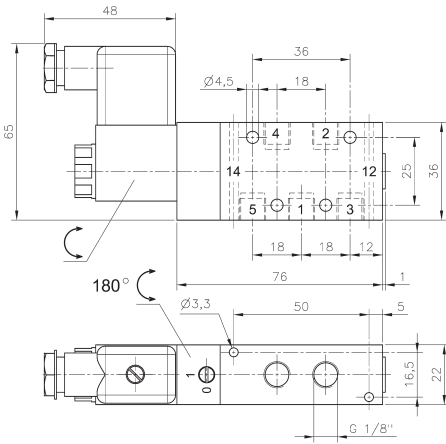
Type	Port size	Air flow	Operating press.	Power consumption	Weight
MH 510 101	G 3/8"	2250 l/min	1,5 - 10 bar	3 W = / 5 VA ~	0,50 kg
MH 510 121	G 1/2"	3000 l/min	1 - 10 bar	3 W = / 5 VA ~	0,67 kg
MH 510 181	G 3/4"	6000 l/min	1 - 10 bar	3 W = / 5 VA ~	1,29 kg
MH 510 121 NPT	1/2" NPT	3000 l/min	1 - 10 bar	3 W = / 5 VA ~	0,67 kg



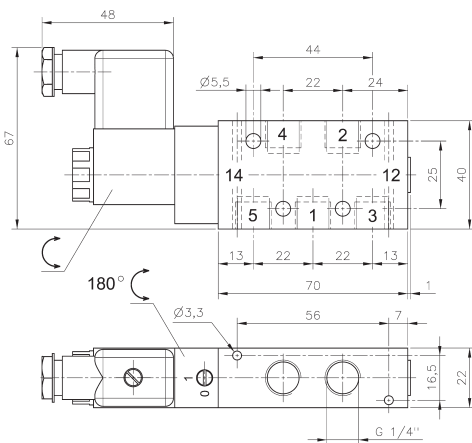
MH 510 501 G  
MH 510 701 G  
MH 510 701 G NPT



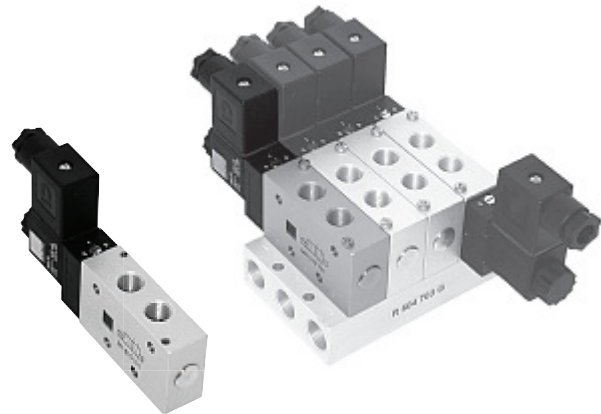
MEH 511 501 G  
MEH 511 701 G



**MH 510 501 G**



**MH 510 701 G/MH 510 701 G NPT**



5/2-way solenoid valve actuated by permanent signal and equipped with air spring return.

Valves can either be used in-line or on a manifold plate. Manifolds for valves type 501 G are displayed on page 2.7.2.2, manifolds for valves type 701 G are displayed on page 2.7.2.3.

Available with solenoid operators:  
230V/50Hz, 110V/50Hz, 24V/50Hz, 48V=,  
24V=, 12V=.

Valves are generally equipped with manual override. If requested without manual override please order M 510 \_\_\_\_.

Valves are also available with external pilot feed.

Type: MEH 511 \_\_\_\_ G.

Port 14: M5.

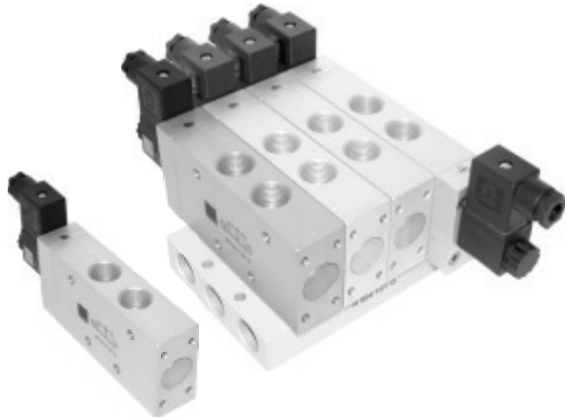
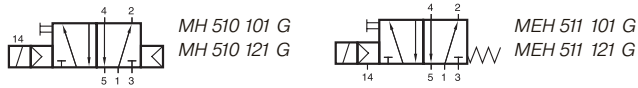
Minimum actuation pressure: 3 bar.

Operating pressure: 0 - 10 bar.

Version for vacuum on request.

Type	Port size	Air flow	Operating press.	Power cons.	Weight
MH 510 501 G	G 1/8"	650 l/min	2 - 10 bar	3 W = / 5 VA ~	0,23 kg
MH 510 701 G	G 1/4"	1250 l/min	2 - 10 bar	3 W = / 5 VA ~	0,25 kg
MH 510 701 G NPT	1/4" NPT	1250 l/min	2 - 10 bar	3 W = / 5 VA ~	0,25 kg

# MH 510 101 G/MH 510 121 G



5/2-way solenoid valve actuated by permanent signal and equipped with air spring return.

Valves can either be used in-line or to be assembled onto a manifold plate. Manifolds for valves type 101 G are displayed on page 2.7.2.4, manifolds for valves type 121 G are displayed on page 2.7.2.5.

Please notice:

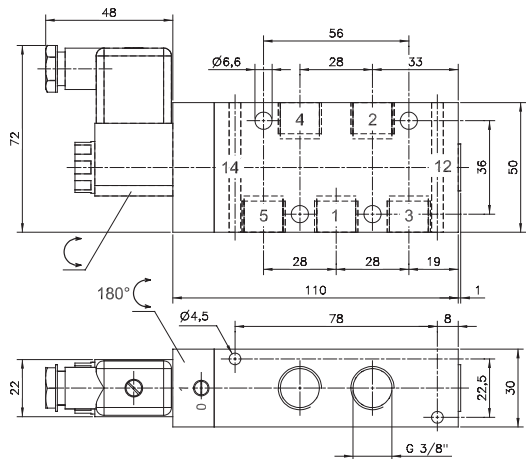
Valves G 1/2" have to be assembled onto the plate by fixing screws from the bottom through the plate into the valve.

Available with solenoid operators:  
230V/50Hz, 110V/50Hz, 24V/50Hz, 48V=,  
24V=, 12V=.

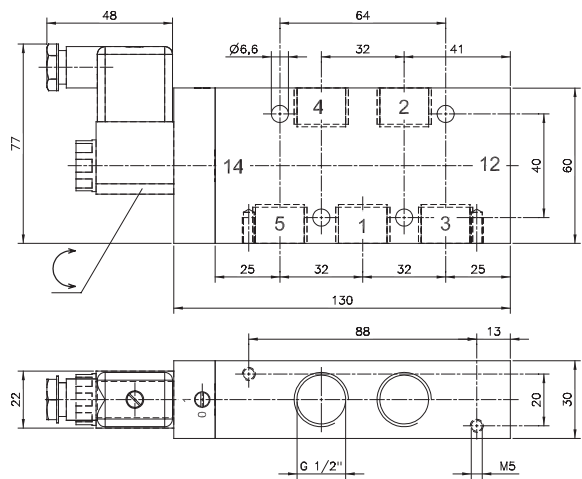
Valves are generally equipped with manual override.  
If requested without manual override please order  
M 510 \_\_\_ G

Valves are also available with external pilot feed.  
Type: MEH 511 \_\_\_ G.  
Port 14: G 1/8".  
Minimum actuation pressure: 3 bar.  
Operating pressure: 0 - 10 bar.

Version for vacuum on request.



**MH 510 101 G**

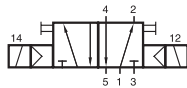


**MH 510 121 G**

Type	Port size	Air flow	Operating press.	Power consumption	Weight
MH 510 101 G	G 3/8"	2250 l/min	1,5 - 10 bar	3 W = / 5 VA ~	0,52 kg
MH 510 121 G	G 1/2"	3000 l/min	1 - 10 bar	3 W = / 5 VA ~	0,70 kg



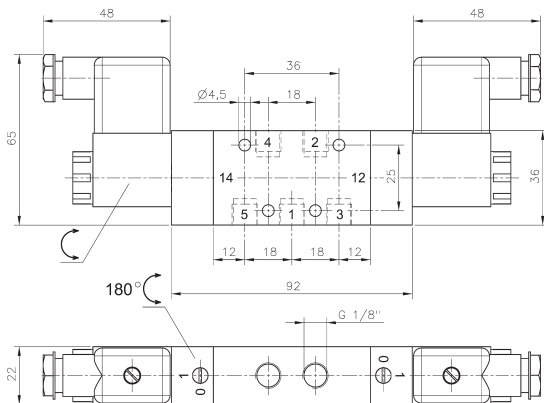
# MH 520 501/MH 520 701/MH 520 801



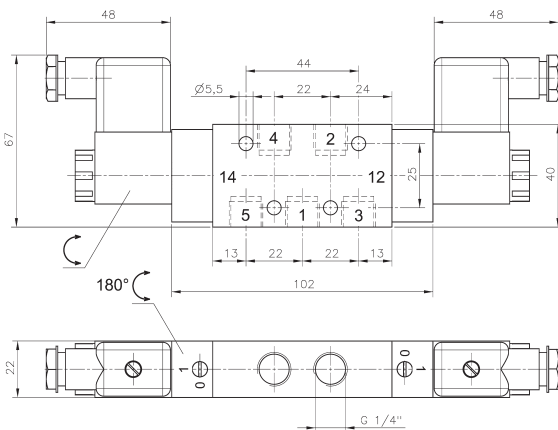
MH 520 501  
MH 520 701  
MH 520 801



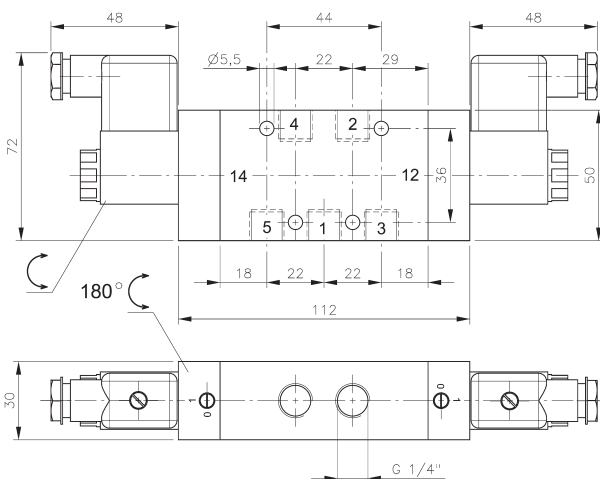
MEH 520 501  
MEH 520 701  
MEH 520 801



**MH 520 501**



**MH 520 701**



**MH 520 801**



5/2-way double solenoid valve actuated by impulse. Position is kept until an electrical signal is applied to the opposite side even when not attached to electrical source.

Available with solenoid operators:  
230V/50Hz, 110V/50Hz, 24V/50Hz, 48V=  
24V=, 12V=.

Valves are generally equipped with manual override. If requested without manual override please order M 520 \_\_\_\_.

Valves are also available with external pilot feed.

Type: MEH 520 \_\_\_\_.

Ports 12 and 14 series 501 and 701: M5,  
series 801: G 1/8\"

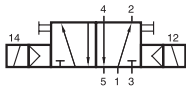
Minimum actuation pressure: 2,5 bar.

Operating pressure: 0 - 10 bar.

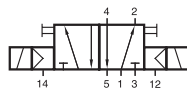
Version for vacuum on request.

Type	Port size	Air flow	Operating press.	Power consumption	Weight
MH 520 501	G 1/8"	650 l/min	2 - 10 bar	3 W = / 5 VA ~	0,33 kg
MH 520 701	G 1/4"	1250 l/min	2 - 10 bar	3 W = / 5 VA ~	0,35 kg  MK
MH 520 801	G 1/4"	1450 l/min	1,5 - 10 bar	3 W = / 5 VA ~	0,62 kg

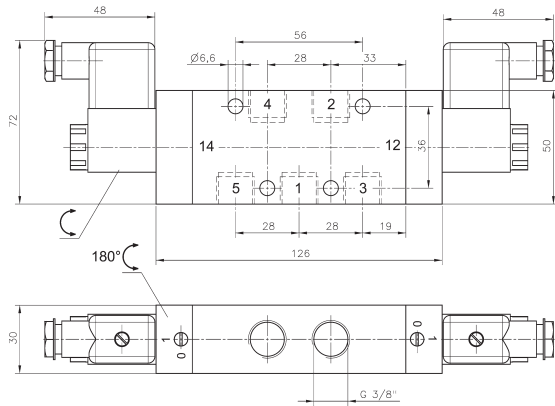
# MH 520 101/MH 520 121/MH 520 181



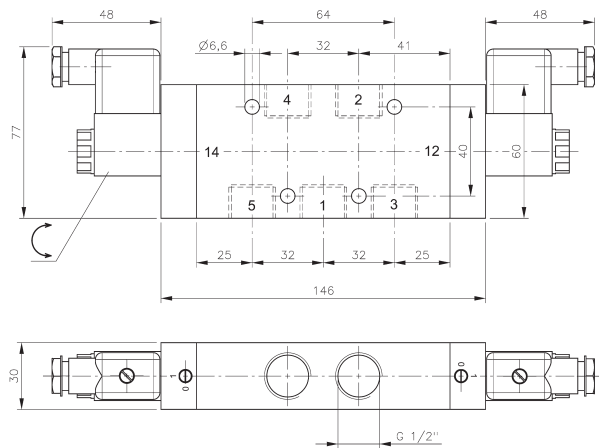
MH 520 101  
MH 520 121  
MH 520 181  
MH 520 121 NPT



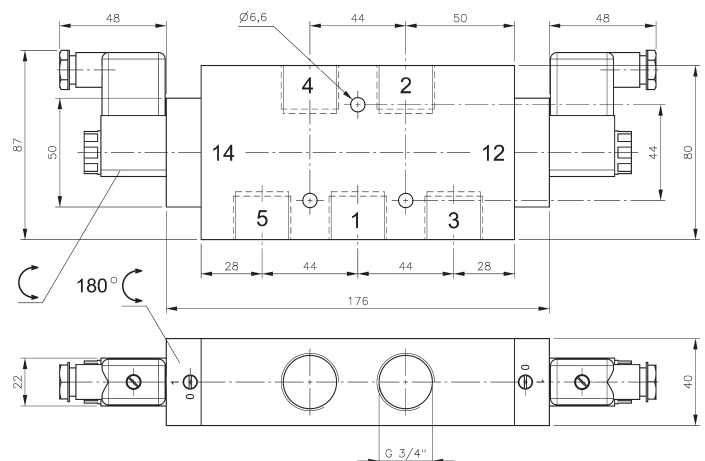
MEH 520 101  
MEH 520 121  
MEH 520 181



**MH 520 101**



**MH 520 121/ MH 520 121 NPT**



**MH 520 181**

5/2-way double solenoid valve actuated by impulse.  
Position is kept until an electrical signal is applied to the opposite side even when not attached to electrical source.

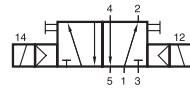
Available with solenoid operators:  
230V/50Hz, 110V/50Hz, 24V/50Hz, 48V=  
24V=, 12V=.

Valves are generally equipped with manual override.  
If requested without manual override please order M 520 \_\_\_\_.

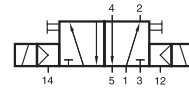
Valves are also available with external pilot feed.  
Type: MEH 520 \_\_\_\_.  
Ports 12 and 14: G 1/8".  
Minimum actuation pressure: 2,5 bar.  
Operating pressure: 0 - 10 bar.

Version for vacuum on request.

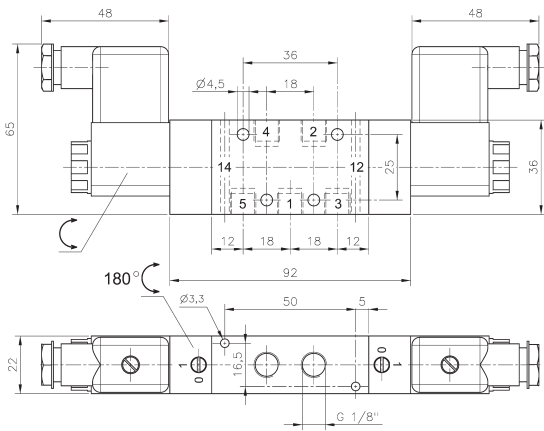
Type	Port size	Air flow	Operating press.	Power consumption	Weight
MH 520 101	G 3/8"	2250 l/min	1,5 - 10 bar	3 W = / 5 VA ~	0,66 kg
MH 520 121	G 1/2"	3000 l/min	1 - 10 bar	3 W = / 5 VA ~	0,84 kg
MH 520 181	G 3/4"	6000 l/min	1 - 10 bar	3 W = / 5 VA ~	1,45 kg
MH 520 121 NPT	1/2" NPT	3000 l/min	1 - 10 bar	3 W = / 5 VA ~	0,84 kg



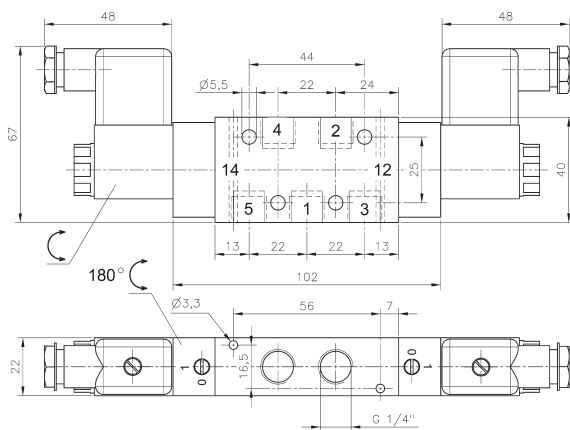
MH 520 501 G  
MH 520 701 G



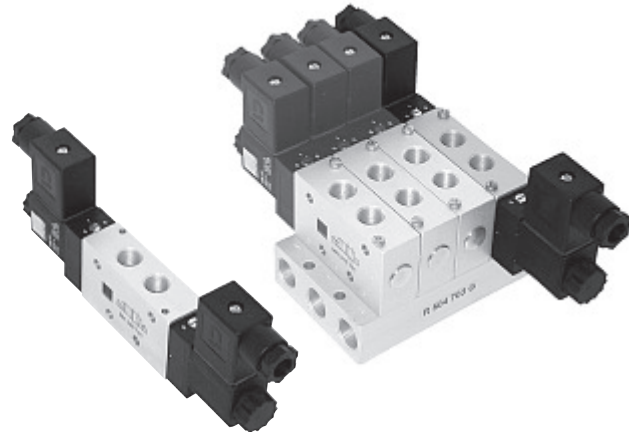
MEH 520 501 G  
MEH 520 701 G



**MH 520 501 G**



**MH 520 701 G/MH 520 701 G NPT**



5/2-way double solenoid valve actuated by impulse. Position is kept until an electrical signal is applied to the opposite side even when not attached to electrical source.

Valves can either be used in-line or on a manifold plate. Manifolds for valves type 501 G are displayed on page 2.7.2.2, manifolds for valves type 701 G are displayed on page 2.7.2.3.

Available with solenoid operators:  
230V/50Hz, 110V/50Hz, 24V/50Hz, 48V=  
24V=, 12V=.

Valves are generally equipped with manual override. If requested without manual override please order M 520 \_\_\_\_.

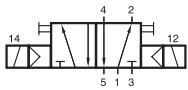
Valves are also available with external pilot feed.  
Type: MEH 520 \_\_\_\_ G.  
Ports 12 and 14: M5.  
Minimum actuation pressure: 2,5 bar.  
Operating pressure: 0 - 10 bar.

Version for vacuum on request.

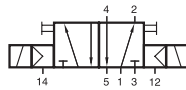
Type	Port size	Air flow	Operating press.	Power consumption	Weight
MH 520 501 G	G 1/8"	650 l/min	2 - 10 bar	3 W = / 5 VA ~	0,33 kg
MH 520 701 G	G 1/4"	1250 l/min	2 - 10 bar	3 W = / 5 VA ~	0,35 kg
MH 520 701 G NPT	1/4" NPT	1250 l/min	2 - 10 bar	3 W = / 5 VA ~	0,35 kg



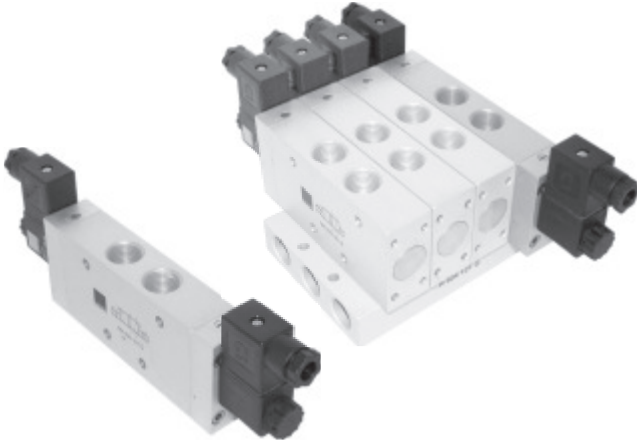
# MH 520 101 G/MH 520 121 G



MH 520 101 G  
MH 520 121 G



MEH 520 101 G  
MEH 520 121 G



5/2-way double solenoid valve actuated by impulse. Position is kept until an electrical signal is applied to the opposite side even when not attached to electrical source.

Valves can either be used in-line or to be assembled onto a manifold plate. Manifolds for valves type 101 G are displayed on page 2.7.2.4, manifolds for valves type 121 G are displayed on page 2.7.2.5.

Please notice: Valves G1/2" have to be assembled onto the plate by fixing screws from the bottom through the plate into the valve.

Available with solenoid operators:  
230V/50Hz, 110V/50Hz, 24V/50Hz, 48V=, 24V=, 12V=.

Valves are generally equipped with manual override. If requested without manual override please order M 520 \_\_\_ G

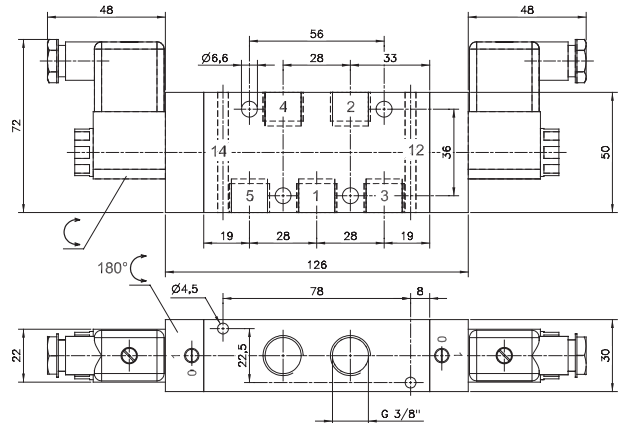
Valves are also available with external pilot feed.

Type: MEH 520 \_\_\_ G.  
Ports 12 and 14: G 1/8".

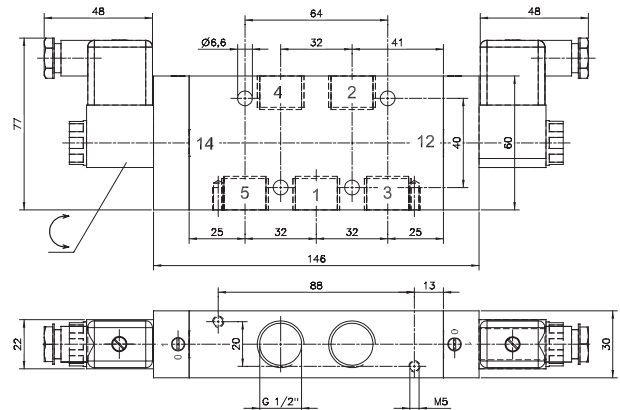
Minimum actuation pressure: 2,5 bar.

Operating pressure: 0 - 10 bar.

Version for vacuum on request.



MH 520 101 G



MH 520 121 G

Type	Port size	Air flow	Operating press.	Power consumption	Weight
MH 520 101 G	G 3/8"	2250 l/min	1,5 - 10 bar	3 W = / 5 VA ~	0,66 kg
MH 520 121 G	G 1/2"	3000 l/min	1 - 10 bar	3 W = / 5 VA ~	0,84 kg