



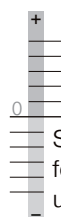
2.9

Namur Valves

Namur 1/4" also called "Namur 1" in accordance to VDI/VDE 3845. Namur 1/2" also called "Namur 2".



Selected models are available for low temperature application.
Temperature-range: - 50° C to + 50° C.
For detailed information refer to chapter 2.11.

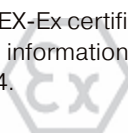


Selected models can be equipped for high temperature environments up to 80 °C, DC only!

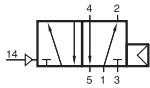


Selected models are available in stainless steel.
For detailed information refer to chapter 2.12.

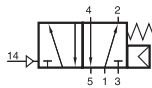
Selected models are available for explosion hazardous environment. They are ATEX-Ex certified.
For detailed information refer to chapter 2.14.



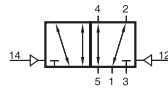
PN 510 701/PN 511 701/PN 510 121 PN 520 701/PN 520 121



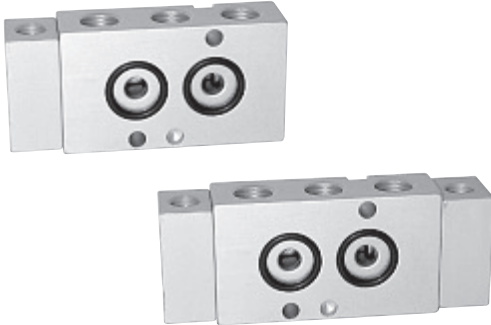
PN 510 701
PN 510 121



PN 511 701



PN 520 701
PN 520 121



Pneumatically actuated 5/2-way spool valve. Interface according to NAMUR-standard.

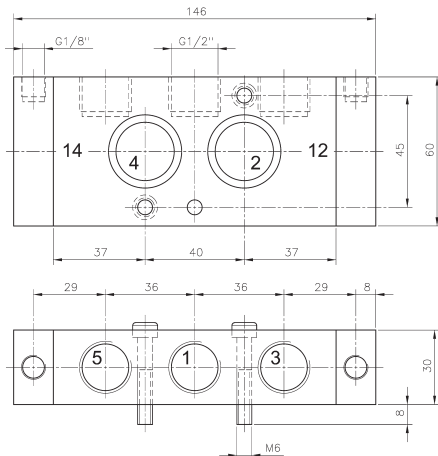
PN 510 701 and PN 510 121 with pneumatic spring. For valves with pure pneumatic spring operating and actuation pressure should be at the same level. PN 511 701 with combined mechanical and pneumatic spring return. PN 520 with double pilot.

Port sizes type 701: 1, 3 and 5: G 1/4"
12 and 14: G 1/8"

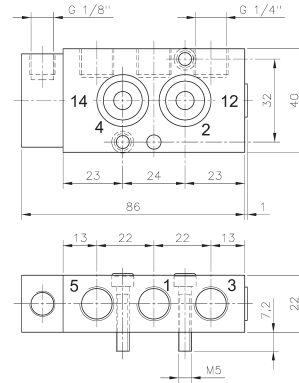
Port sizes type 121: 1, 3 and 5: G 1/2"
12 and 14: G 1/8"

Delivery includes 1 pin, 2 screws, 2 O-rings.

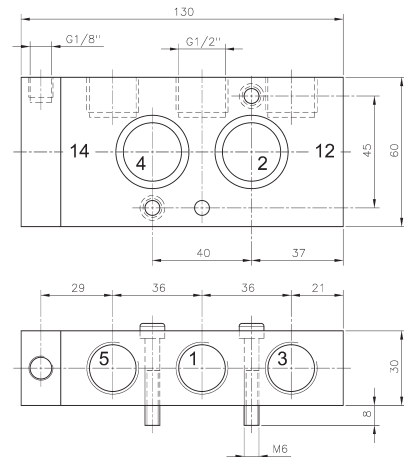
NPT ported valves are available on request.



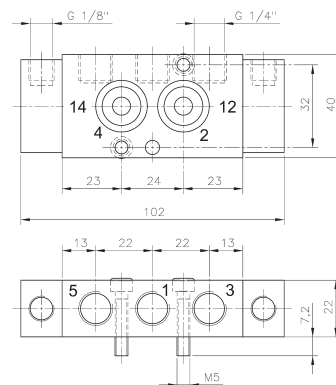
PN 520 121



PN 510 701/PN 511 701



PN 510 121



PN 520 701

Type	NAMUR Port size		Air flow	Operating press.	Actuating press.	Weight
PN 510 701	1/4"	G 1/4" - G 1/8"	1250 l/min	2 - 10 bar	the same	0,19 kg
PN 511 701	1/4"	G 1/4" - G 1/8"	1250 l/min	3 - 10 bar	3 - 10 bar	0,19 kg
PN 510 121	1/2"	G 1/2" - G 1/8"	3000 l/min	1 - 10 bar	the same	0,60 kg
PN 520 701	1/4"	G 1/4" - G 1/8"	1250 l/min	2 - 10 bar	2,5 - 10 bar	0,22 kg
PN 520 121	1/2"	G 1/2" - G 1/8"	3000 l/min	1 - 10 bar	2,5 - 10 bar	0,67 kg