



# 2.9

## Namur Valves

*Namur 1/4" also called "Namur 1" in accordance to VDI/VDE 3845. Namur 1/2" also called "Namur 2".*



Selected models are available for low temperature application.  
Temperature-range: - 50° C to + 50° C.  
For detailed information refer to chapter 2.11.



Selected models can be equipped for high temperature environments up to 80 °C, DC only!

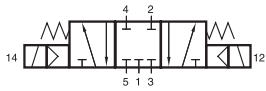


Selected models are available in stainless steel.  
For detailed information refer to chapter 2.12.

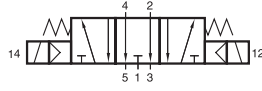
Selected models are available for explosion hazardous environment. They are ATEX-Ex certified.  
For detailed information refer to chapter 2.14.



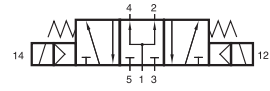
# MNH 531 701/MNH 532 701/MNH 533 701 MNH 531 101/MNH 531 121/MNK 531 701



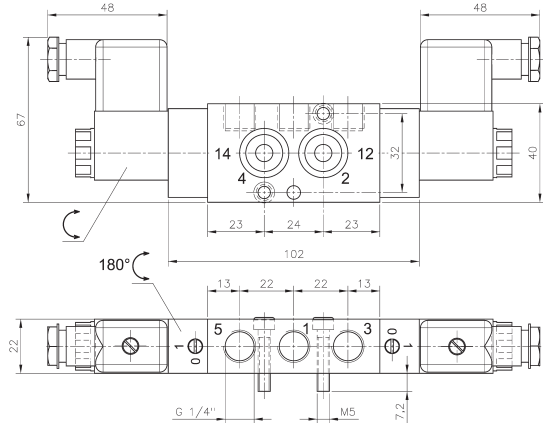
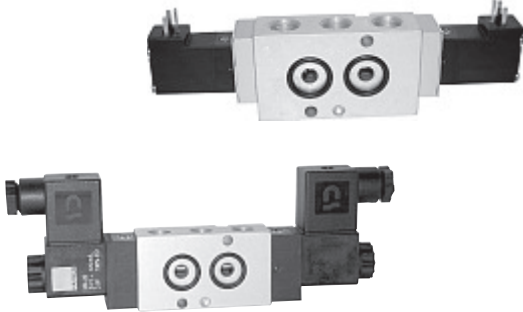
MNH 531 701  
MNH 531 101  
MNH 531 121  
MNK 531 701  
MNH 531 701 NPT  
MNH 531 121 NPT



MNH 532 701



MNH 533 701



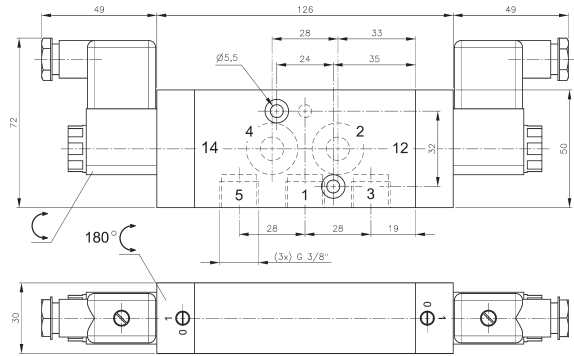
MNH 53\_701/MNH 531 701 NPT

5/3-way solenoid valve with spring return to middle position. Interface according to NAMUR-standard.

- Type 531 centre closed
- Type 532 centre exhausted
- Type 533 centre pressurised

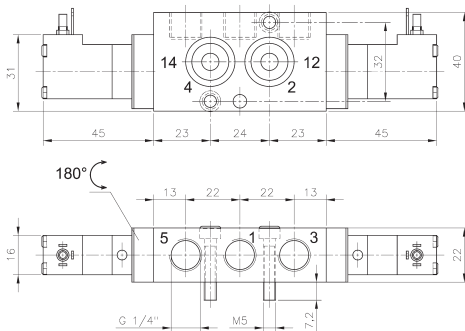
**MNH** generally with manual override to turn with solenoid operators 230V/50Hz, 110V/50Hz, 24V/50Hz, 48V=, 24V=, 12V=.

**MNK** with manual override to push with solenoid operators 230V/50Hz, 110V/50Hz, 24V/50Hz, 24V=, 12V=, 6V=.

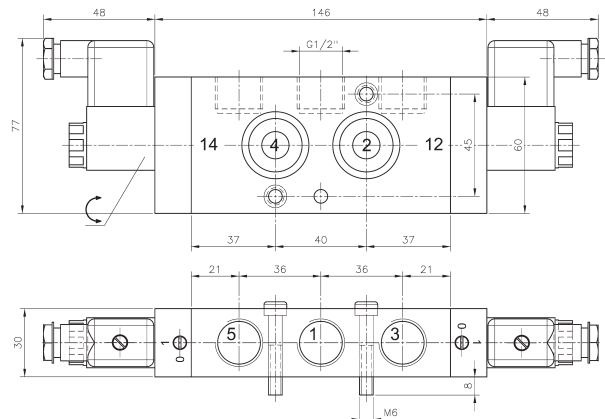


MNH 531 101

Delivery includes 1 pin, 2 screws and 2 O-rings.

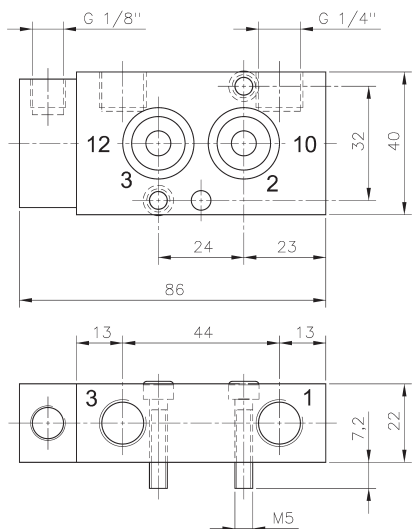


MNK 531 701

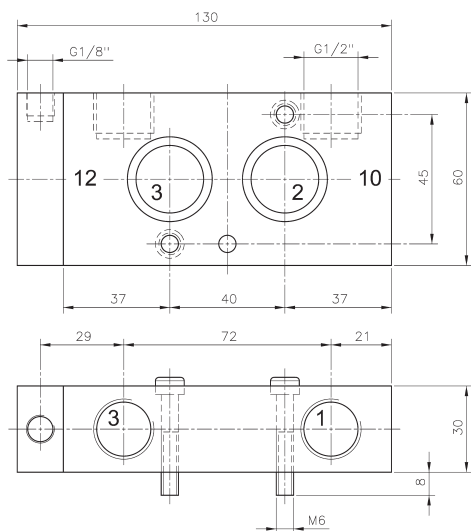


MNH 531 121/MNH 531 121 NPT

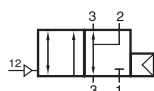
Type	NAMUR Port size	Air flow	Operating press.	Power cons.	Weight
MNH 53_701	1/4" G 1/4"	1250 l/min	3 - 10 bar	3 W = / 5 VA ~	0,36 kg
MNH 531 101	1/4" G 3/8"	2250 l/min	3 - 10 bar	3 W = / 5 VA ~	0,84 kg
MNH 531 121	1/2" G 1/2"	3000 l/min	3 - 10 bar	3 W = / 5 VA ~	0,87 kg
MNK 531 701	1/4" G 1/4"	1250 l/min	3 - 10 bar	1,8 W = / 3 VA ~	0,32 kg
MNH 531 701 NPT	1/4" 1/4" NPT	1250 l/min	3 - 10 bar	3 W = / 5 VA ~	0,36 kg
MNH 531 121 NPT	1/2" 1/2" NPT	3000 l/min	3 - 10 bar	3 W = / 5 VA ~	0,87 kg



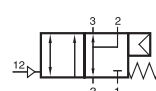
**PN 310 701/PN 311 701**



**PN 310 121**



PN 310 701  
PN 310 121



PN 311 701



Pneumatically actuated 3/2-way spool valve. Interface according to NAMUR-standard with exhaust recirculation („purge“).




PN 310 701 and PN 310 121 with pneumatic spring. For valves with pure pneumatic spring operating and actuation pressure should be at the same level. PN 311 701 with combined mechanical and pneumatic spring return.

Port sizes type 701: 1 and 3: G 1/4"  
12: G 1/8"

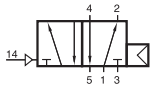
Port sizes type 121: 1 and 3: G 1/2"  
12: G 1/8"

Delivery includes 1 pin, 2 screws, 2 O-rings.

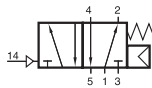
*NPT ported valves are available on request.*

Type	NAMUR Port size	Air flow	Operating press.	Actuation press.	Weight
PN 310 701	1/4" G 1/4" - G 1/8"	1250 l/min	2 - 10 bar	the same	0,20 kg 
PN 311 701	1/4" G 1/4" - G 1/8"	1250 l/min	3 - 10 bar	3 - 10 bar	0,20 kg 
PN 310 121	1/2" G 1/2" - G 1/8"	3000 l/min	1 - 10 bar	the same	0,62 kg 

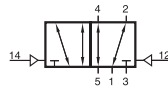
# PN 510 701/PN 511 701/PN 510 121 PN 520 701/PN 520 121



PN 510 701  
PN 510 121



PN 511 701



PN 520 701  
PN 520 121



Pneumatically actuated 5/2-way spool valve. Interface according to NAMUR-standard.

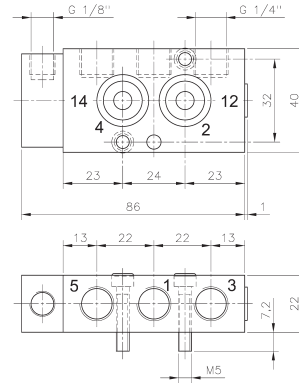
PN 510 701 and PN 510 121 with pneumatic spring. For valves with pure pneumatic spring operating and actuation pressure should be at the same level. PN 511 701 with combined mechanical and pneumatic spring return. PN 520 with double pilot.

Port sizes type 701: 1, 3 and 5: G 1/4"  
12 and 14: G 1/8"

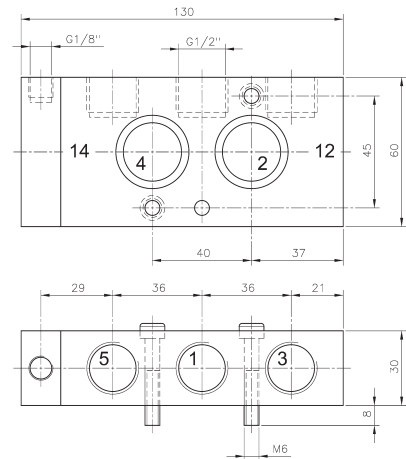
Port sizes type 121: 1, 3 and 5: G 1/2"  
12 and 14: G 1/8"

Delivery includes 1 pin, 2 screws, 2 O-rings.

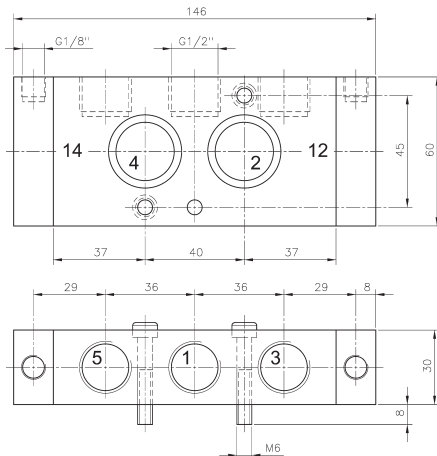
*NPT ported valves are available on request.*



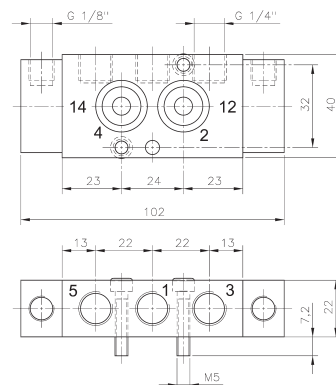
PN 510 701/PN 511 701



PN 510 121

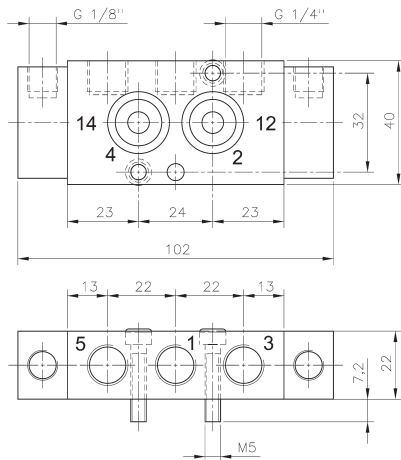
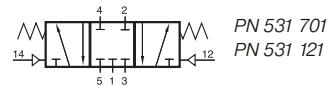


PN 520 121

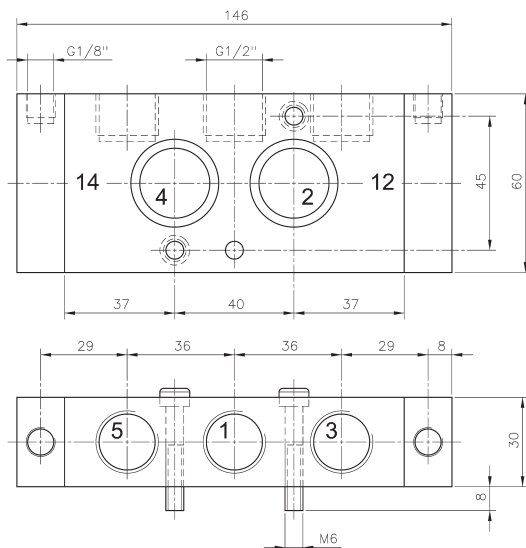


PN 520 701

Type	NAMUR Port size		Air flow	Operating press.	Actuating press.	Weight
PN 510 701	1/4"	G 1/4" - G 1/8"	1250 l/min	2 - 10 bar	the same	0,19 kg
PN 511 701	1/4"	G 1/4" - G 1/8"	1250 l/min	3 - 10 bar	3 - 10 bar	0,19 kg
PN 510 121	1/2"	G 1/2" - G 1/8"	3000 l/min	1 - 10 bar	the same	0,60 kg
PN 520 701	1/4"	G 1/4" - G 1/8"	1250 l/min	2 - 10 bar	2,5 - 10 bar	0,22 kg
PN 520 121	1/2"	G 1/2" - G 1/8"	3000 l/min	1 - 10 bar	2,5 - 10 bar	0,67 kg



**PN 531 701**



**PN 531 121**



Pneumatically actuated 5/3-way spool valve with spring return to middle position, centre closed. Interface according to NAMUR-standard.

Port sizes type 701: 1, 3 and 5: G 1/4"  
12 and 14: G 1/8"

Port sizes type 121: 1, 3 and 5: G 1/2"  
12 and 14: G 1/8"

Other 5/3-way versions (centre exhausted or pressurised) are available on request.

Delivery includes 1 pin, 2 screws, 2 O-rings.

*NPT ported valves are available on request.*

Type	NAMUR	Port size	Air flow	Operating press.	Actuation press.	Weight
PN 531 701	1/4"	G 1/4" - G 1/8"	1250 l/min	1 - 10 bar	3 - 10 bar	0,22 kg
PN 531 121	1/2"	G 1/2" - G 1/8"	3000 l/min	1 - 10 bar	3 - 10 bar	0,67 kg