

A250 Limit Switch Boxes

PROVAL A250 Series limit switch boxes are used on rotary valve actuators to generate open/close signal and monitor the valve position.

General Features,

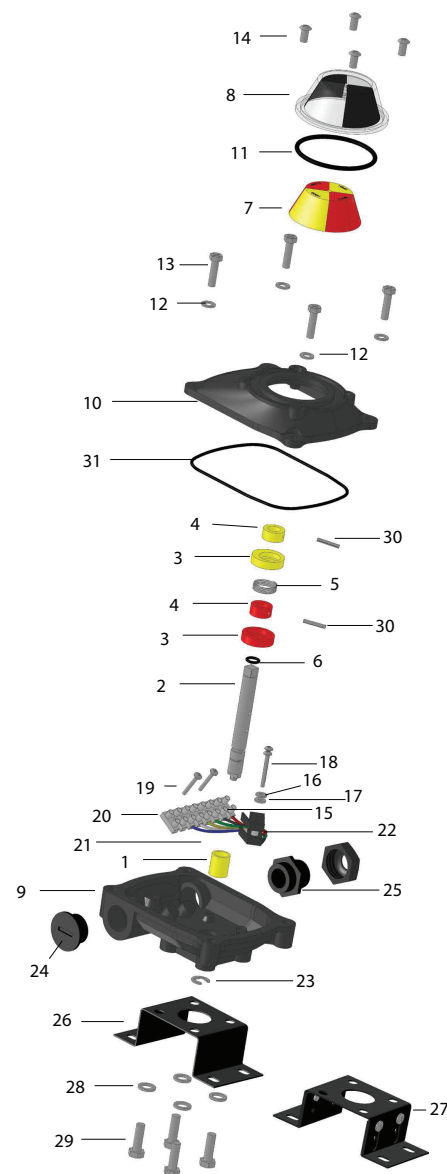
- 3D continuous visual position indicator
- Easily adjustable spring forced CAM system
- Standard IP67 enclosure
- 2 pcs Open/Close mechanical or proximity switches
- Easily adjustable brackets and suitable for all NAMUR VDI/VDE interface actuators
- Terminal strip with 8 points angled to allow for easy wiring and direct connection of solenoid valve inside the switch box.



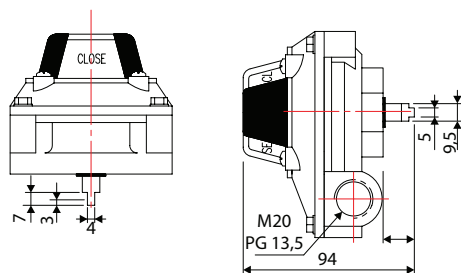
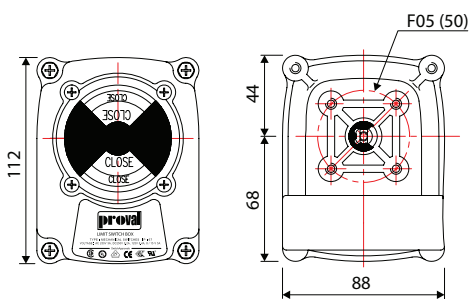
A250 PSM-PSP
Standard Switch Boxes

No	Part Name	Material	Qty
1	Bushing	Brass	1
2	Pinion	SS420	1
3	Cam-1	Delrin	2
4	Cam-2	Delrin	2
5	Spring	SS420	1
6	Stem O-Ring	NBR	1
7	O/C Indicator	ABS	1
8	Cover	ABS	1
9	Body	Alu Die Cast	1
10	Cap	Alu Die Cast	1
11	O-Ring	NBR	1
12	Washer	SS304	4
13	Cap Screw	SS304	4
14	Screw	SS304	4
15	Switch		2
16	Spacer Bushing	Plastic	2

No	Part Name	Material	Qty
17	Washer	SS304	2
18	Switch Screw	SS304	2
19	Terminal Screw	SS304	2
20	Terminal	Plastic	1
21	Terminal Cable Screw	SS304	16
22	Cable Set		1
23	Circlip	SS304	1
24	Blind Plug	Plastic	1
25	Plug	Plastic	1
26	MB1 Braket	Steel	1
27	MB2 Braket	Steel	1
28	Adjustment Washer	SS304	4
29	Bolt	SS203	4
30	Cam Pin	Stemd Steel	2
31	Body Seal Ring	NBR	1



Dimensions(mm)



Model	Switch Brand	Switch Type
A250 PSM-1	Zippy	Micro
A250 PSM-2	Crouzet	EF83161.3
A250 PSP-1	P+F	NBB2-V3-E2
A250 PSP-2	P+F	NJ2-V3-N
A250 PSP-3	P+F	SJ3,5-N
A250 PSP-4	IFM	IS5076
A250 PSP-5	P+F	NBB3-V3-Z4

Bracket Dimensions

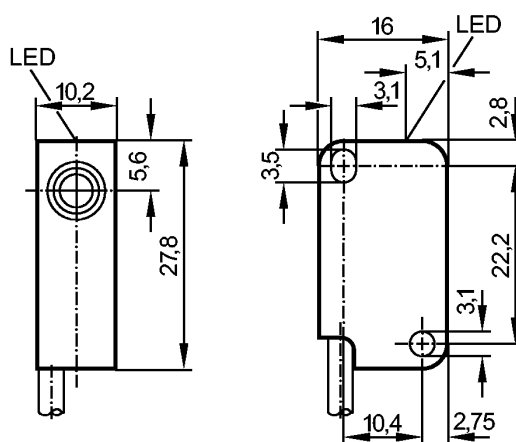
Model	Bracket Type	Mounting Dimension
MB-1		30x80 H: 20
MB-2		30x80 - 30x130 H: 20-30 Adjustable
MB-3		30x80 - 30x130 H: 40-50 Adjustable




IS5076

IS-2002-FROG/PH/0.135M

Inductive sensors



Product characteristics

Inductive sensor
 Rectangular, plastics
 Cable
 Sensing range 2 mm; [f] flush mountable

Electrical data

Electrical design	DC PNP/NPN
Operating voltage [V]	5...36 DC
Protection class	III
Reverse polarity protection	no

Outputs

Output function	normally open / closed programmable
Voltage drop [V]	< 4.6
Minimum load current [mA]	4
Leakage current [mA]	< 0.8
Current rating [mA]	200
Short-circuit protection	no
Overload protection	no
Switching frequency [Hz]	2000

Range

Sensing range [mm]	2
Real sensing range (Sr) [mm]	2 ± 10 %
Operating distance [mm]	0...1.62

Accuracy / deviations

Correction factors	mild steel = 1 / stainless steel approx. 0.7 / brass approx. 0.4 / Cu approx. 0.2 / Al approx. 0.3
Hysteresis [% of Sr]	1...15
Switch-point drift [% of Sr]	-10...10

Environment

Ambient temperature [°C]	-25...80
--------------------------	----------

Protection	IP 67	
Tests / approvals		
EMC	EN 60947-5-2 EN 55011:	class B
MTTF [Years]	3755	
Mechanical data		
Mounting	flush mountable	
Housing materials	PBT	
Tightening torque [Nm]	≤ 0.5 (with washer)	
Weight [kg]	0.007	
Displays / operating elements		
Output status indication LED	yellow	
Electrical connection		
Connection	PPU cable / 0.135 m; 2 x 0.14 mm ²	
Wiring		
Core colours BK black WH white		
Remarks		
Pack quantity [piece]	1	

ifm electronic gmbh • Friedrichstraße 1 • 45128 Essen — We reserve the right to make technical alterations without prior notice. — GB — IS5076-00 — 04/06.2014