

# VA 341/VA 401 ES 341/ES 401



## VA 341/VA 401: OR-gate

The OR-gate has two inputs 1 and one output 2.

The shuttle valve is used when only one of two possible signals is required to pass on a signal.

Function: If one of two signal inputs are activated, an output signal on port 2 is present and the other input is blocked.

In case of pressurising both inputs at different pressure levels, the higher pressure is fed to port 2.

## ES 341/ES 401: AND-gate

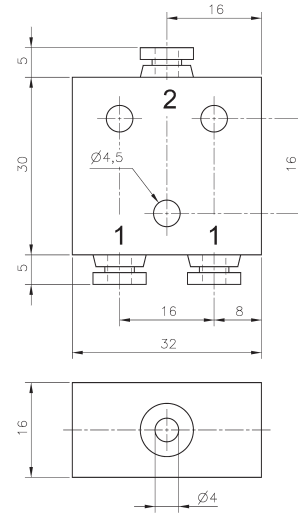
The AND-gate has two inputs 1 and one output 2.

The dual-pressure valve is used when at least 2 signals are required before a signal is passed on.

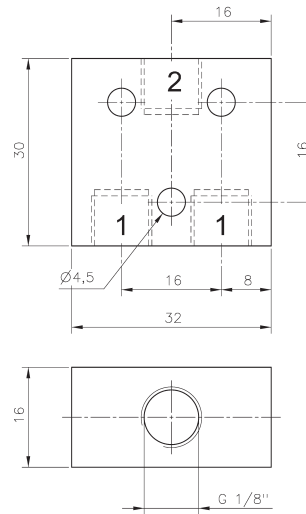
Function: Only when both inputs are pressurised output 2 is pressurised.

If two different pressures are applied the lower pressure is fed to output 2.

In case of only one signal at one of the two ports 1, the output 2 is blocked.

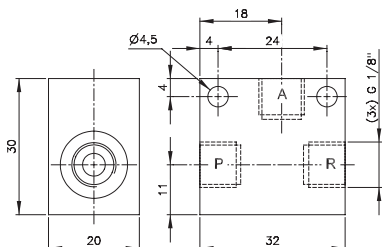
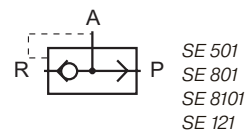


VA 341/ES 341



VA 401/ES 401

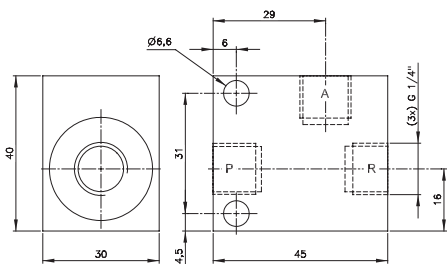
Type	Function	Port size	Air flow	Operating press.	Weight
VA 341	OR	pif 4 mm	280 l/min	1 - 10 bar	0,04 kg
VA 401	OR	G 1/8"	280 l/min	1 - 10 bar	0,04 kg
ES 341	AND	pif 4 mm	280 l/min	1 - 10 bar	0,04 kg
ES 401	AND	G 1/8"	280 l/min	1 - 10 bar	0,04 kg



SE 501



Quick-exhaust valve which can also be used as non-return valve as well as or-gate.



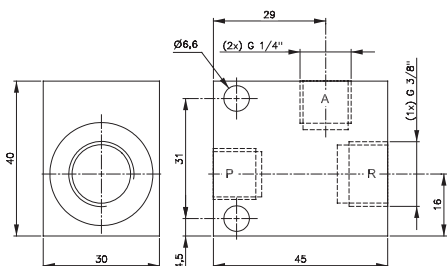
SE 801

If used as a non-return valve please plug port R. Open from P to A, closed from A to P.

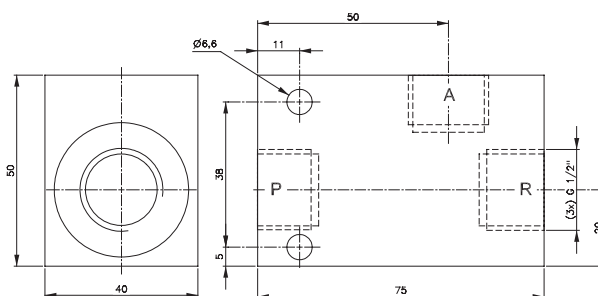
If used as an or-gate connect pressure to P and R. Port A is outlet.

Temperature range: -20° C to +80° C

Stainless steel version as well as low temperature version (-40° C) available on request.



SE 8101

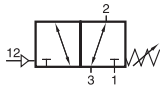


SE 121

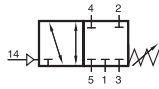
Type	Port size A + P	Port size R	Air flow from A to R	Operating press.	Weight
SE 501	G 1/8"	G 1/8"	564 l/min	0,3 - 10 bar	0,06 kg
SE 801	G 1/4"	G 1/4"	1188 l/min	0,2 - 10 bar	0,18 kg
SE 8101	G 1/4"	G 3/8"	1188 l/min	0,2 - 10 bar	0,18 kg
SE 121	G 1/2"	G 1/2"	3600 l/min	0,5 - 10 bar	0,26 kg



# P 311 501 SR/P 411 701 SR P 411 701 SR NPT



P311 501 SR



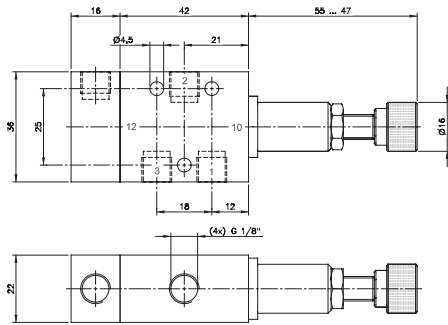
P 411 701 SR  
P 411 701 SR NPT



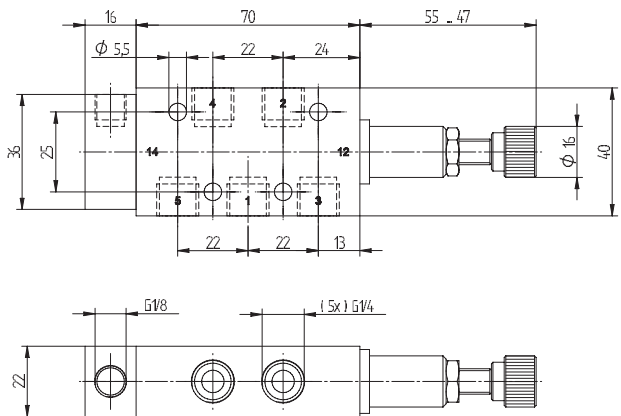
**P 311 501 SR** pneumatically actuated 3/2-way valve with mechanical spring return. Valve can be used normally closed (pressure at port 1) and normally open (pressure at port 3). Can also be used as 2/2-way valve. Unused port to be closed with a silencer or plug.

**P 411 701 SR** pneumatically actuated 4/2-way valve with mechanical spring return. Valve either blocks all ports or is open from 1 to 4 and from 3 to 2. Port 5 is a vent port and should have a silencer installed, do not plug.

Valve can be used as an **adjustable pneumatic pressure switch**. By turning the hand-wheel the required minimum actuation pressure can be set between 3 and 6 bar. Adjustment is not independent from operation pressure.



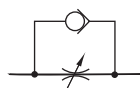
P 311 501 SR



P 411 701 SR/P 411 701 SR NPT

Type	Port size	Air flow	Operating press.	Regulating range act. press.	Max. act. press.	Weight	
P 311 501 SR	G 1/8"	650 l/min	2 - 10 bar	3 - 6 bar	10 bar	0,16 kg	Ex
P 411 701 SR	G 1/4"	1250 l/min	2 - 10 bar	3 - 6 bar	10 bar	0,21 kg	Ex
P 411 701 SR NPT	1/4" NPT	1250 l/min	2 - 10 bar	3 - 6 bar	10 bar	0,21 kg	

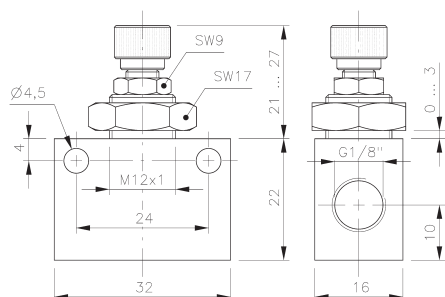
# DR 501/DR 801/DR 101 D 501/D 801/D 101



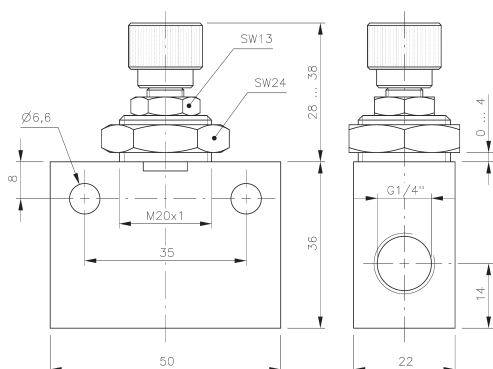
DR 501  
DR 801  
DR 101



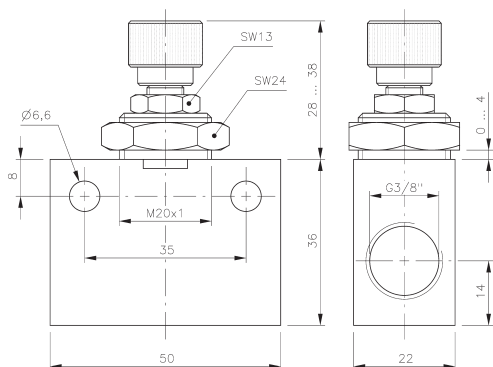
D 501  
D 801  
D 101



**DR 501/D 501**



**DR 801/D 801**



**DR 101/D 101**



Block form flow regulator.

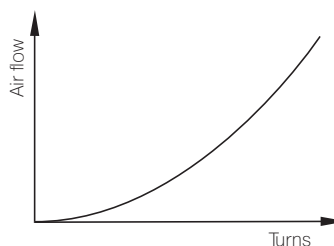
Type DR  
uni-directional block form flow regulator.  
Air streaming in the direction of the throttle can be regulated by turning the spindle. In the opposite direction air streams unthrottled.

Type D  
bi-directional flow regulator. Air is regulated in both directions.

The throttle can be adjusted very precisely along the entire regulation range.

Adjustment can be locked.

Suitable for wall and panel mounting.  
Nut is included.



Type	Port size	Air flow	Airflow in opposite direction	Operating press.	Weight
D 501	G 1/8"	450 l/min	450 l/min	0,5 - 10 bar	0,04 kg
D 801	G 1/4"	1150 l/min	1150 l/min	0,5 - 10 bar	0,13 kg
D 101	G 3/8"	1450 l/min	1450 l/min	0,5 - 10 bar	0,13 kg
DR 501	G 1/8"	450 l/min	450 l/min	2 - 10 bar	0,04 kg
DR 801	G 1/4"	1150 l/min	1150 l/min	2 - 10 bar	0,13 kg
DR 101	G 3/8"	1450 l/min	1450 l/min	2 - 10 bar	0,13 kg