

DM20 (SERIES SPRING RETURN CARTRIDGES)

The SOLDO DM20 series is a spring return lever for manually operated valves. The spring returns valves to their fail-safe position when the lever is released

(DAMPENED LEVER SPEED)

The SOLDO DM20 features a unique dampened spring that reduces lever return speed and potentially dangerous snap action.

(ENVIRONMENT)

The SOLDO DM20 series is constructed with corrosion resistant materials for applications in harsh environments.

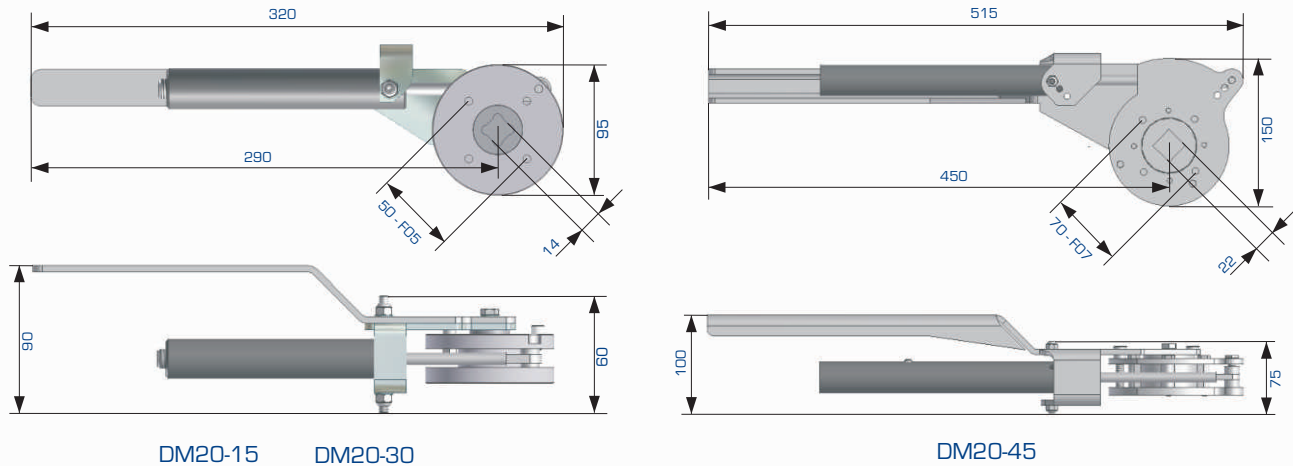
(HAZARDOUS AREA)

The SOLDO DM20 series is available ATEX marked  II 2 GD c Tmax 75°C according to ATEX directive suitable for use in zone 1, 2, 21 and 22 (category 2 and 3).

(STANDARDIZED MOUNTING)

The DM20 mounting pattern conforms to international dimensional standard ISO 5211 maximizing interchangeability and reduced hardware requirements

(DIMENSION mm)



DM20-15

DM20-30

DM20-45

(MATERIALS)

Body	: anodised aluminium
Lever	: stainless steel
Screws and nuts	: stainless steel
Shaft	: nickel plated carbon steel

(STANDARD OPTIONS AVAILABLE - Nomenclature)

DM 20 - 15 - 05

spring and torque

15	15 Nm
30	30 Nm
45	45 Nm

ISO 5211

05	F05
07	F07

