



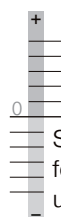
# 2.9

## Namur Valves

*Namur 1/4" also called "Namur 1" in accordance to VDI/VDE 3845. Namur 1/2" also called "Namur 2".*



Selected models are available for low temperature application.  
Temperature-range: - 50° C to + 50° C.  
For detailed information refer to chapter 2.11.

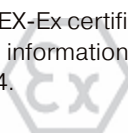


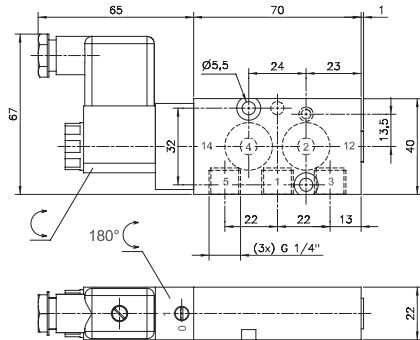
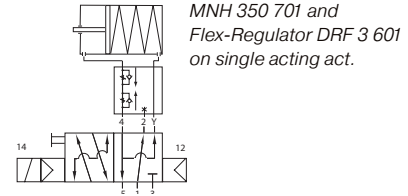
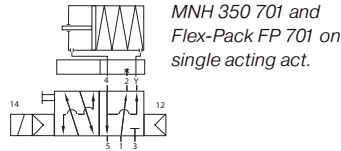
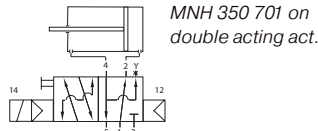
Selected models can be equipped for high temperature environments up to 80 °C, DC only!



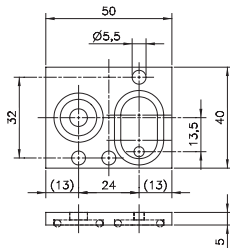
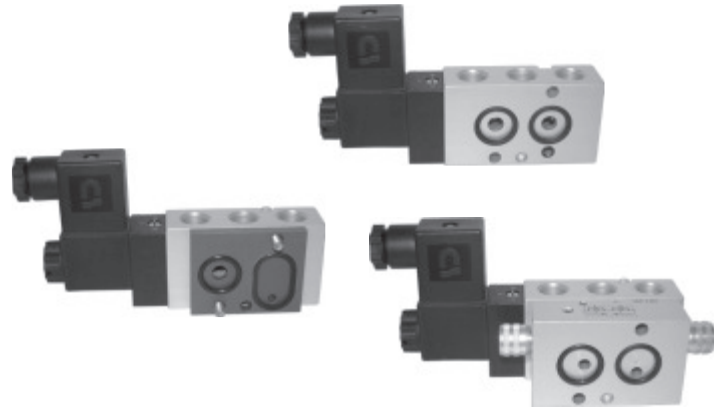
Selected models are available in stainless steel.  
For detailed information refer to chapter 2.12.

Selected models are available for explosion hazardous environment. They are ATEX-Ex certified.  
For detailed information refer to chapter 2.14.

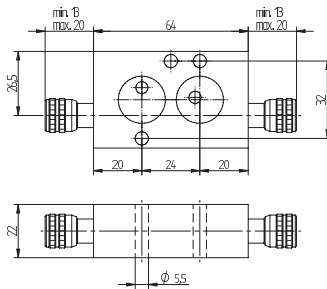




**MNH 350 701/MNH 351 701**  
**MNH 350 701 NPT/MNH 351 701 NPT**



**FP 701 K/FP 701 A**



**DRF 3 601**

5/2-way solenoid valve, actuated by permanent signal. Interface according to 1/4" NAMUR-standard. Adding the „Flex-Pack“, converts the valve into a 3/2-way NAMUR-valve with exhaust-air recirculation (“purge”).

MNH 350 701 with pneumatic spring return,  
MNH 351 701 with combined spring.


Valves are available with solenoid operators:  
230V/50Hz, 110V/50Hz, 24V/50Hz, 48V=,  
24V=, 12V=




Valves are generally equipped with manual override.

Delivery of valve includes 1 pin, 2 screws, 2 O-rings.

Instead of the Flex-Pack the „Flex-regulator“ Type DRF 601 converts the function of the valve and offers the possibility to control opening- and closing-speed of a spring-return actuator independently.

Delivery of FP 701 and DRF 3 601 includes longer screws, seals as well as a plug to close port 3 of the valve.

Type	Material	Orifice 4	Orifice 2-3	Weight
FP 701 K	PA	7 mm	4 mm	0,012 kg
FP 701 A	alu	7 mm	4 mm	0,016 kg
DRF 3 601	alu + brass	0,5 - 6 mm	4 mm	0,18 kg 

Type	Port size	Air flow	Operating press.	Power Cons.	Weight
MNH 350 701	G 1/4"	1250 l/min	2 - 10 bar	3 W = / 5 VA ~	0,24 kg 
MNH 351 701	G 1/4"	1250 l/min	2,5 - 10 bar	3 W = / 5 VA ~	0,24 kg 
MNH 350 701 NPT	1/4" NPT	1250 l/min	2 - 10 bar	3 W = / 5 VA ~	0,24 kg 
MNH 351 701 NPT	1/4" NPT	1250 l/min	2,5 - 10 bar	3 W = / 5 VA ~	0,24 kg 