



# 2.9

## Namur Valves

*Namur 1/4" also called "Namur 1" in accordance to VDI/VDE 3845. Namur 1/2" also called "Namur 2".*



Selected models are available for low temperature application.  
Temperature-range: - 50° C to + 50° C.  
For detailed information refer to chapter 2.11.

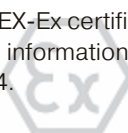


Selected models can be equipped for high temperature environments up to 80 °C, DC only!

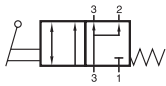


Selected models are available in stainless steel.  
For detailed information refer to chapter 2.12.

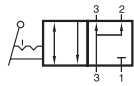
Selected models are available for explosion hazardous environment. They are ATEX-Ex certified. For detailed information refer to chapter 2.14.



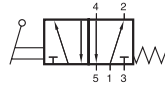
# HVN 311 701/HVRN 320 701 HVN 511 701/HVRN 520 701



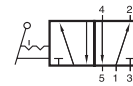
HVN 311 701



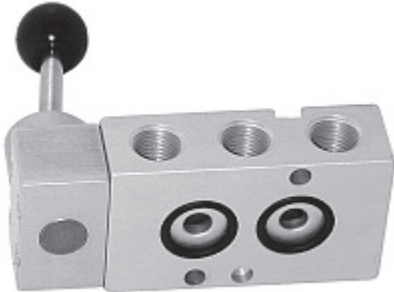
HVRN 320 701



HVN 511 701



HVRN 520 701



Lever actuated spool valves with interface according to 1/4" NAMUR- standard. 4 versions are offered:

- HVN 311 701     3/2-way, normally closed with spring return
- HVRN 320 701   3/2-way, indexed
- HVN 511 701     5/2-way with spring return
- HVRN 520 701   5/2-way indexed

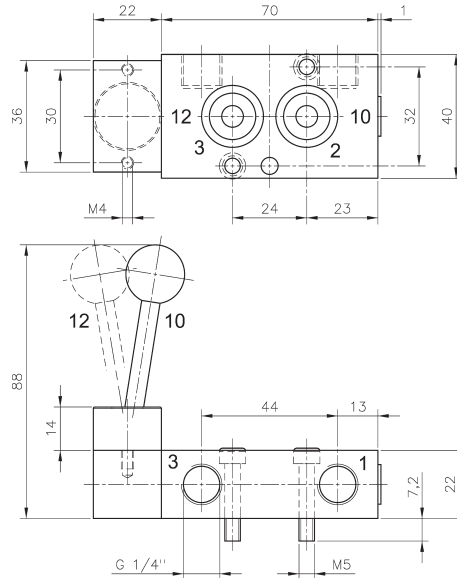
3/2-way valves offer exhaust air recirculation („purge“).

The lever is sealed by using a metal ball.

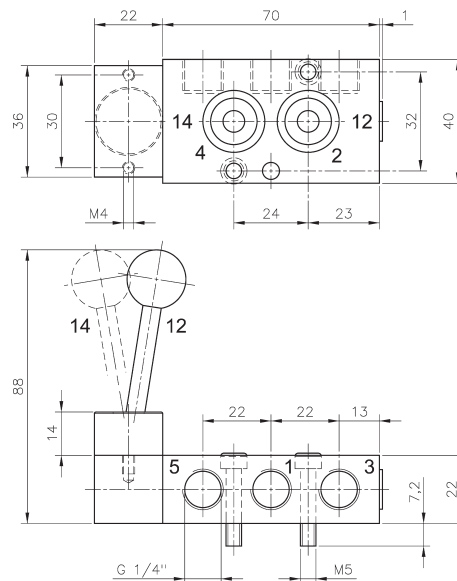
Exhaust can be throttled.

Delivery includes 1 pin, 2 screws, 2 O-rings.

*NPT ported versions and 5/3-way valves are available on request.*



**HVN 311 701/HVRN 320 701**



**HVN 511 701/HVRN 520 701**

Type	Function	Port size	Air flow	Operating press.	Actuating force	Weight
HVN 311 701	3/2-way spring	G 1/4"	1250 l/min	1 - 10 bar	20 N	0,24 kg
HVRN 320 701	3/2-way indexed	G 1/4"	1250 l/min	1 - 10 bar	20 N	0,24 kg
HVN 511 701	5/2-way spring	G 1/4"	1250 l/min	1 - 10 bar	20 N	0,24 kg
HVRN 520 701	5/2-way indexed	G 1/4"	1250 l/min	1 - 10 bar	20 N	0,24 kg