

Description

The pneumatic Lock Up Valve TS200 series shuts off the signal pressure line either when the air supply falls below an adjusted value or upon complete air supply failure. This causes the actuator to remain in its last position.

Features



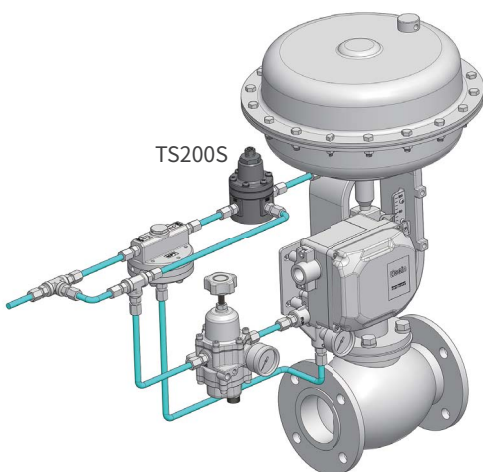
Quick Response and high precision

Easy set-up of lock up air pressure

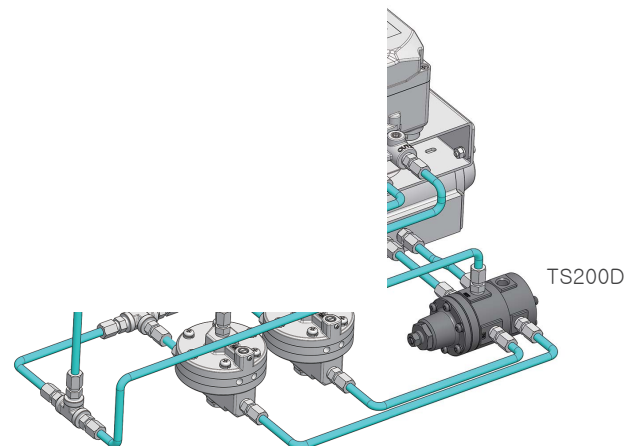
Small size and light weight

Options available (High & Low Temperature)

Installation examples



Single actuator



Double actuator

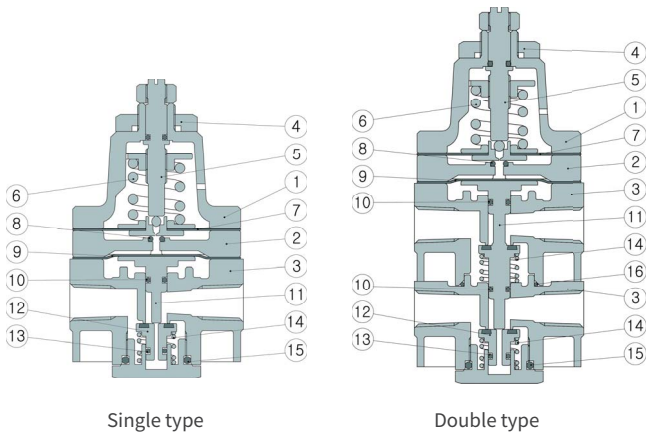
Specifications

Model	TS200S	TS200D	TS205S	TS205D
Signal pressure	0.14~0.7MPa			
Max supply pressure	1MPa			
Max lock up pressure	0.7MPa			
Differential pressure	Below 0.01MPa			
Flow capacity(CV)	0.9			
Signal connection	NPT1/4, PT1/4			
In/Out connection	NPT1/4, PT1/4			
Operating temperature	-20°C~70°C(Standard type)			
Material	Aluminum die cast		Stainless steel 316	
Weight	0.45kg	0.63kg	1.17kg	1.61kg

Product code

Model				
Model	Standard type	TS200		
	Stainless steel 316	TS205		
Acting type	Single		S	
	Double		D	
Air connection	NPT1/4			N
	PT1/4			P
Ambient temperature	-20°C~70°C			S
	-20°C~120°C			H
	-40°C~70°C			L
	-60°C~70°C			U

Material of construction



No.	Title	TS200	TS205
1	Cover	ALDC12	STS316
2	Ring	ALDC12	STS316
3	Body	ALDC12	STS316
4	Mounting nut	STS	STS316
5	Shaft adjust	STS	STS316
6	Spring adjust	HSW3	STS
7	Ass'y diaphragm	STS/NBR	STS/NBR
8	O-ring	NBR	NBR
9	Diaphragm lower	NBR/SILICONE	NBR/SILICONE
10	O-ring	NBR	NBR
11	Shaft push	C3604BD	STS316
12	Seat	C3604BD	STS316
13	O-ring	NBR	NBR
14	Spring seat	STS	STS
15	O-ring	NBR	NBR
16	O-ring	NBR	NBR

Dimension [Unit:mm]

