

Smart Positioner(Flame Proof) VP9/VP95

Description

VP9 Smart Valve Positioner controls the valve stroke in response to an input signal of 4-20mA from the control panel, DCS, or calibrator.

Certified



IP66

SIL2



Features



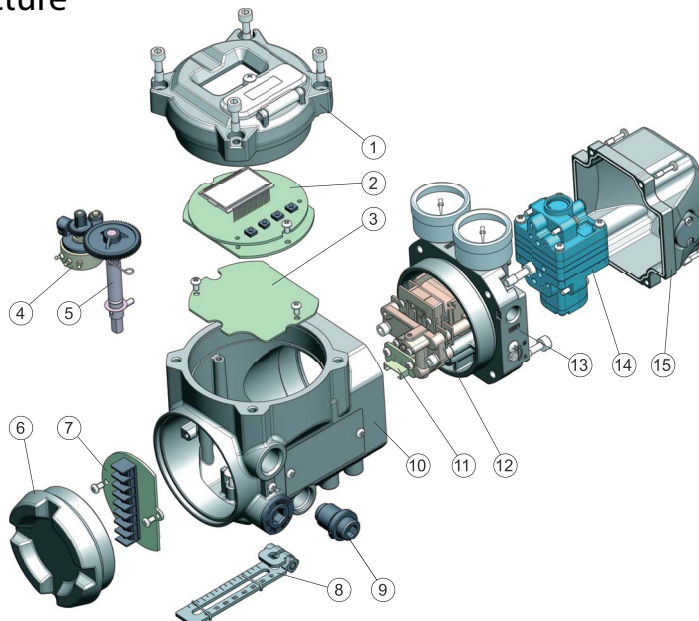
VP9



VP95

- Quick and easy auto calibration
- Large flow pilot valve (Over than 100LPM)
- Flapper / Nozzle type Torque motor
- By-pass valve (A/M switch) installed
- HART communication (HART 7)
- Partial stroke test (PST) function
- Alarm function
- Self diagnostic

Structure



1. Body cover
2. Main PCB
3. PCB guide
4. Potentiometer
5. Main shaft
6. Junction box cover
7. Terminal PCB
8. Feedback lever
9. Plug drain
10. Base body
11. Pressure sensor(Optional)
12. Torque motor
13. Air connection block
14. Pilot valve
15. Pilot valve cover

Smart Positioner(Flame Proof)

VP9/VP95

Specifications

Model	VP9	VP95
Input signal	4~20mA DC	
Impedance	500Ω at 20mA DC	
Supply pressure	0.14~0.7MPa	
Stroke	10~150mm(Linear), 0~90°(Rotary)	
Air connection	NPT1/4	
Gauge connection	NPT1/8	
Conduit	NPT1/2	
Explosion proof type	II 2G Ex db IIC T5/T6 Gb II 2D Ex tb IIIC T85°C/T100 °C Db	
Enclosure	IP66 (EN60529)	
Ambient Temp.	Standard type	-30°C~80°C
	Low temp type	-40°C~80°C
	Explosion proof	-40°C~80°C(T5) / -40°C~70°C(T6)
	LCD operating	-30°C~85°C
Linearity	±0.5% F.S.	
Sensitivity	±0.2% F.S.	
Hysteresis	±0.5% F.S.	
Repeatability	±0.3% F.S.	
Air consumption	Below 2.3LPM (Sup=0.14MPa)	
Required air quality	Class 3 (ISO 8573-1)	
Flow capacity	Over 100LPM (Sup=0.14MPa)	
Material	Aluminum die cast	Stainless Steel 316
Weight	3.5kg	7.0kg
HART version*	HART 7	
Position transmitter*	Connection type	2 Wire
	Supply voltage	9~30V DC
Alarm switch*	9~30V DC	

* Options

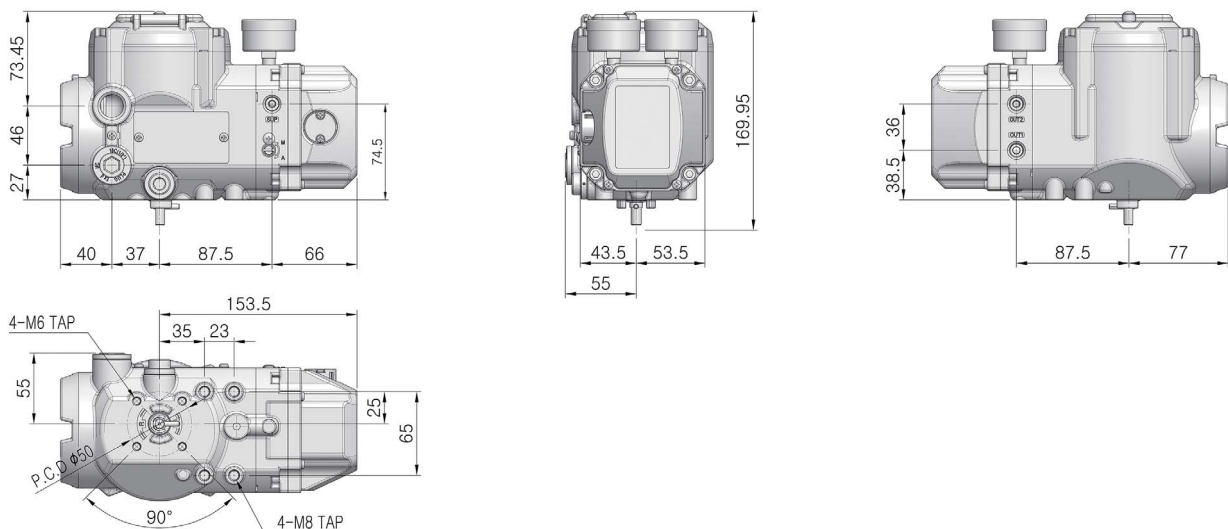
Product code

Model	VP9		C					
Standard type	VP9							
STS316 type	VP95							
Acting type	Linear type		L					
	Rotary type		R					
Explosion proof type	Ex db IIC T5/T6		C					
Connection type	Conduit entry							
	Air connection							
	NPT1/2	NPT1/4		4				
Lever (Linear type)	10 ~ 80mm							1
	70 ~ 150mm							2
	Adapter type(30mm)							3
	Adapter type(70mm)							4
Lever (Rotary type)	M6 x 39L							1
	NAMUR							5
Ambient Temp.	-30°C~80°C							S
	-40°C~80°C							L
	-60°C~85°C (For Russia EAC)							U
Communication	None							0
	4~20mA Position transmitter							1
	HART							2
	HART with 4~20mA Position transmitter							3
Alarm switch	None							0
	Included Alarm switch							A

Notes:

1. Conduit entry for ATEX/IECEX/CCC/NEPSI should be "NPT1/2" or "M20".

Dimension [Unit:mm]



BRACKETS

VP9R Bracket

