

2.5

Solenoid Valves



Selected models are available for low temperature application.
Temperature-range: - 50° C to + 50° C.
For detailed information refer to chapter 2.11.



Selected models are available with high flow and low power consumption. For detailed information refer to page 100.

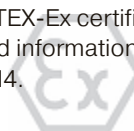


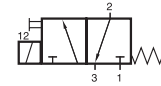
Selected models are available in stainless steel.
For detailed information refer to chapter 2.12.



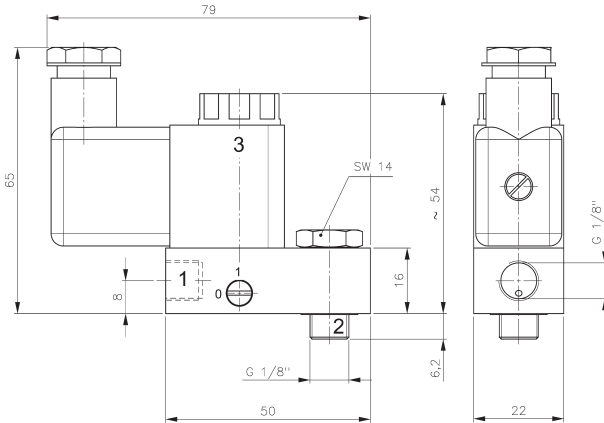
Selected models can be equipped for high temperature environments up to 80 °C, DC only!

Selected models are available for explosion hazardous environment. They are ATEX-Ex certified. For detailed information refer to chapter 2.14.





MH 311 013
MH 311 017



MH 311 013



Direct acting 3/2-way solenoid valve equipped with mechanical spring return, normally closed.

Port 2 is a banjo that can be screwed directly into the actuator that is to be controlled.

Products with port 1 in NPT on request.

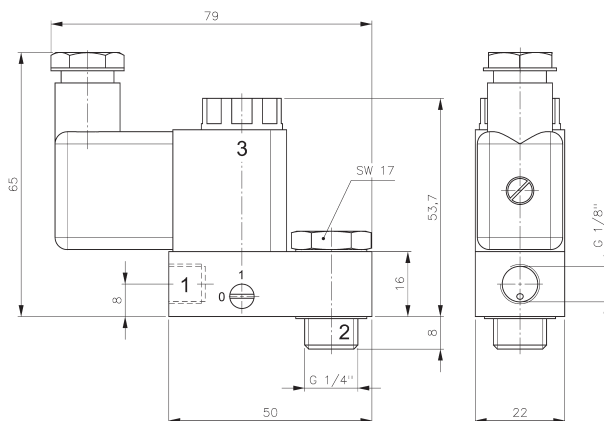
Products normally open on request.

2/2-way version on request.

Available with solenoid operators:

230V/50Hz, 110V/50Hz, 24V/50Hz, 48V=, 24V=, 12V=.

Valves are generally equipped with manual override.



MH 311 017

MH 311 013 and MH 311 017 are designed for piloting angle seat valves or small spring-return actuators.

When assembling this type of valve to a spring-return actuator, please take into consideration that there is no exhaust air recirculation ("purge").

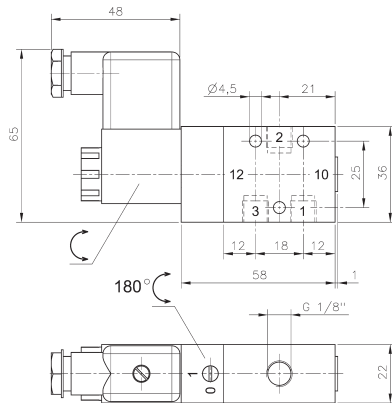
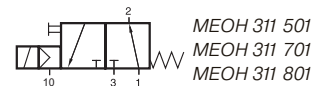
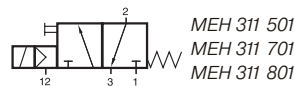
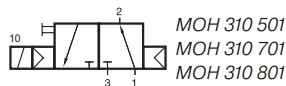
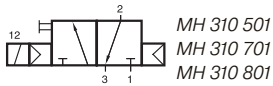
Instead of the standard banjo-screw, the valve can also be equipped with a flow-regulating banjo-screw.

Three different versions are available on request: Banjo-screw to regulate the opening speed, the closing speed as well as the opening and closing speed (not independent).

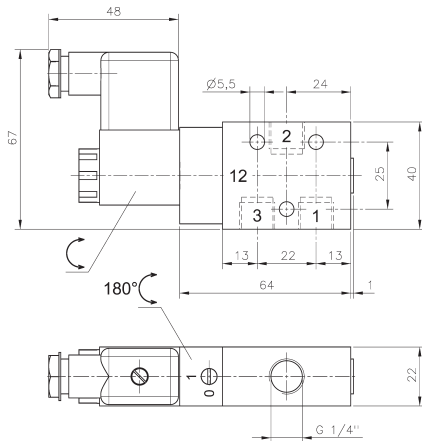


Type	Function	Port			Air flow	Operating pressure	Power consumption	Weight
		1	2 banjo	3				
MH 311 013	n.c.	G 1/8"	G 1/8"	M5	50 l/min	0 - 10 bar	3 W = / 5 VA ~	0,14 kg ❄️
MH 311 017	n.c.	G 1/8"	G 1/4"	M5	50 l/min	0 - 10 bar	3 W = / 5 VA ~	0,16 kg ❄️

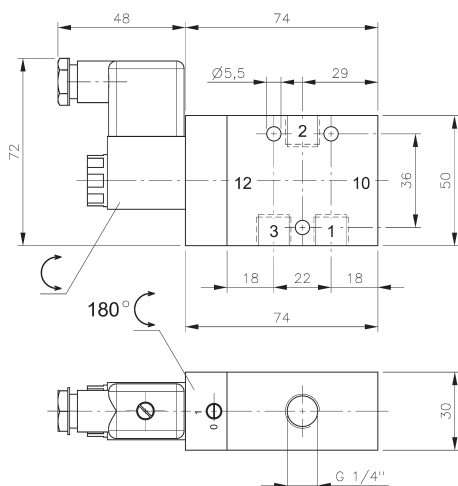
MH 310 501/MH 310 701/MH 310 801 MOH 310 501/MOH 310 701/MOH 310 801



MH 310 501/MOH 310 501



MH 310 701/MOH 310 701



MH 310 801/MOH 310 801



3/2-way solenoid valve normally closed (MH) or normally open (MOH) actuated by permanent signal and equipped with air spring return.

Available with solenoid operators:
230V/50Hz, 110V/50Hz, 24V/50Hz, 48V=
24V=, 12V=.

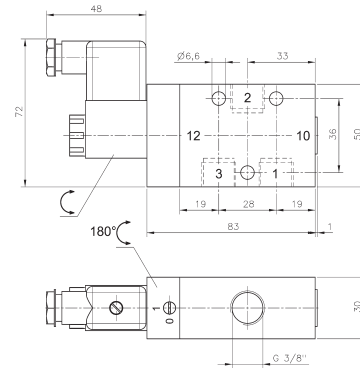
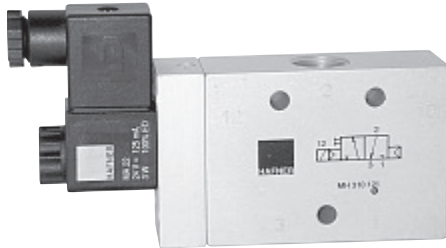
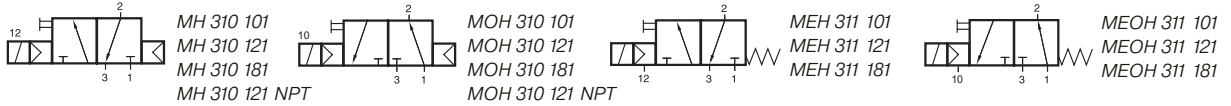
Valves are generally equipped with manual override.
If requested without manual override please order
M 310 ___ / MO 310 ___

Valves are also available with external pilot feed.
Type: MEH 311 ___ (n.c.) or MEOH 311 ___ (n.o.).
Port 12 series 501 and 701 M5, series 801 G 1/8".
Minimum actuation pressure: 3 bar.
Operating pressure: 0 - 10 bar.
Version for vacuum on request.

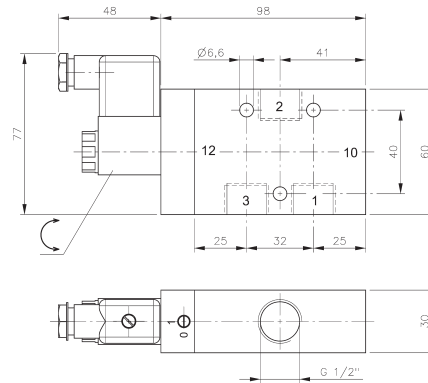
Please notice:
Do not close port 3 to convert into a 2-way valve.

Type	Function	Port size	Air flow	Operating press.	Power consumption	Weight
MH 310 501	n.c.	G 1/8"	650 l/min	2 - 10 bar	3 W = / 5 VA ~	0,19 kg
MH 310 701	n.c.	G 1/4"	1250 l/min	2 - 10 bar	3 W = / 5 VA ~	0,21 kg
MH 310 801	n.c.	G 1/4"	1450 l/min	1,5 - 10 bar	3 W = / 5 VA ~	0,39 kg
MOH 310 501	n.o.	G 1/8"	650 l/min	2 - 10 bar	3 W = / 5 VA ~	0,19 kg
MOH 310 701	n.o.	G 1/4"	1250 l/min	2 - 10 bar	3 W = / 5 VA ~	0,21 kg
MOH 310 801	n.o.	G 1/4"	1450 l/min	1,5 - 10 bar	3 W = / 5 VA ~	0,39 kg

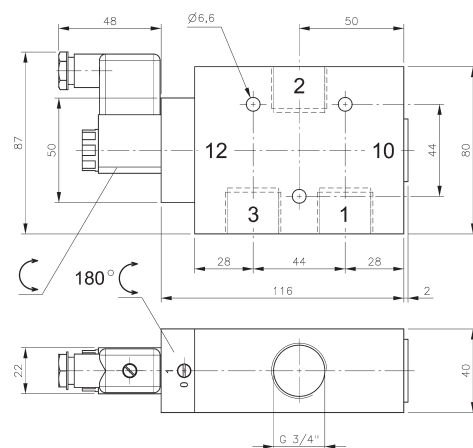
MH 310 101/MH 310 121/MH 310 181 MOH 310 101/MOH 310 121/MOH 310 181



MH 310 101/MOH 310 101



**MH 310 121/MOH 310 121
MH 310 121 NPT/MOH 310 121 NPT**



MH 310 181/MOH 310 181

3/2-way solenoid valve normally closed (MH) or normally open (MOH) actuated by permanent signal and equipped with air spring return.

Available with solenoid operators:
230V/50Hz, 110V/50Hz, 24V/50Hz, 48V=, 24V=, 12V=.

Valves are generally equipped with manual override. If requested without manual override please order M 310 ___ / MO 310 ___.

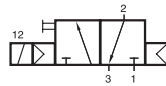
Valves are also available with external pilot feed.
Type: MEH 311 ___ (n.c.) or MEOH 311 ___ (n.o.).
Port 12: G 1/8\".

Minimum actuation pressure: 3 bar.
Operating pressure: 0 - 10 bar.
Version for vacuum on request.

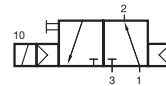
Please notice:
Do not close port 3 to convert into a 2-way valve.

Type	Function	Port size	Air flow	Operating press.	Power cons.	Weight
MH 310 101	n.c.	G 3/8"	2250 l/min	1,5 - 10 bar	3 W = / 5 VA ~	0,41 kg
MH 310 121	n.c.	G 1/2"	3000 l/min	1 - 10 bar	3 W = / 5 VA ~	0,53 kg
MH 310 181	n.c.	G 3/4"	6000 l/min	1 - 10 bar	3 W = / 5 VA ~	0,88 kg
MOH 310 101	n.o.	G 3/8"	2250 l/min	1,5 - 10 bar	3 W = / 5 VA ~	0,41 kg
MOH 310 121	n.o.	G 1/2"	3000 l/min	1 - 10 bar	3 W = / 5 VA ~	0,53 kg
MOH 310 181	n.o.	G 3/4"	6000 l/min	1 - 10 bar	3 W = / 5 VA ~	0,88 kg
MH 310 121 NPT	n.o.	1/2" NPT	3000 l/min	1 - 10 bar	3 W = / 5 VA ~	0,53 kg
MOH 310 121 NPT	n.o.	1/2" NPT	3000 l/min	1 - 10 bar	3 W = / 5 VA ~	0,53 kg

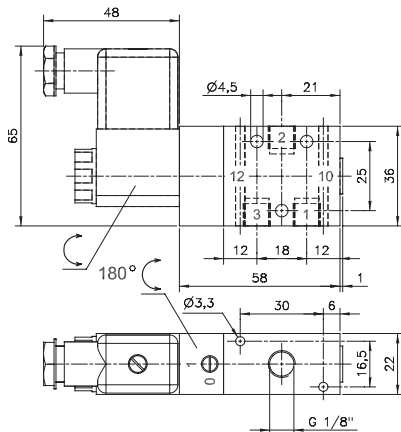
MH 310 501 G/MH 310 701 G MOH 310 501 G/MOH 310 701 G



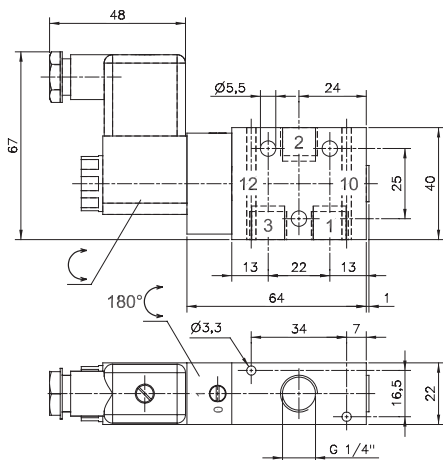
MH 310 501 G
MH 310 701 G
MH 310 701 G NPT



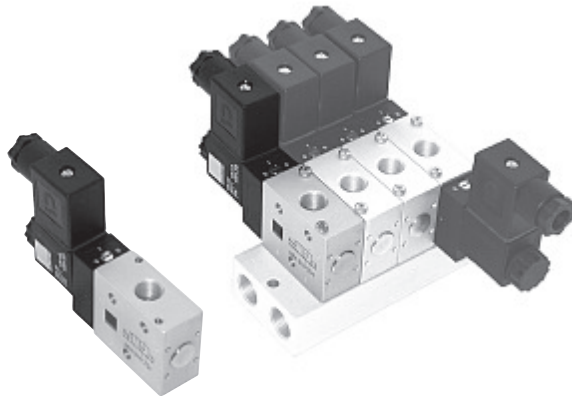
MOH 310 501 G
MOH 310 701 G
MOH 310 701 G NPT



MH 310 501 G/MOH 310 501 G



**MH 310 701 G/MOH 310 701 G
MH 310 701 G NPT/MOH 310 701 G NPT**



3/2-way solenoid valve normally closed (MH) or normally open (MOH) actuated by permanent signal and equipped with air spring return.

Valves can either be used in-line or to be assembled onto a manifold plate. Manifolds are displayed on page 2.7.1.4.

Normally open and normally closed products can be mixed on one plate.

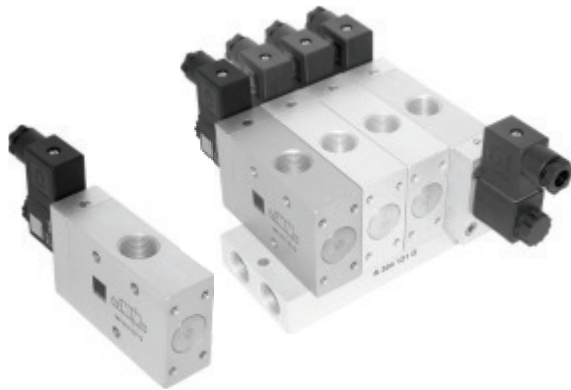
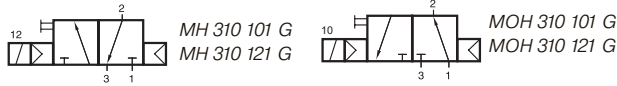
Available with solenoid operators:
230V/50Hz, 110V/50Hz, 24V/50Hz, 48V=,
24V=, 12V=.

Valves are generally equipped with manual override. If requested without manual override please order M 310 ___ / MO 310 ___.

Please notice:
Do not close port 3 to convert into a 2-way valve.

Type	Function	Port size	Air flow	Operating press.	Power cons.	Weight
MH 310 501 G	n.c.	G 1/8"	650 l/min	2 - 10 bar	3 W = / 5 VA ~	0,20 kg
MH 310 701 G	n.c.	G 1/4"	1250 l/min	2 - 10 bar	3 W = / 5 VA ~	0,21 kg MK
MOH 310 501 G	n.o.	G 1/8"	650 l/min	2 - 10 bar	3 W = / 5 VA ~	0,20 kg
MOH 310 701 G	n.o.	G 1/4"	1250 l/min	2 - 10 bar	3 W = / 5 VA ~	0,21 kg MK
MH 310 701 G NPT	n.c.	1/4" NPT	1250 l/min	2 - 10 bar	3 W = / 5 VA ~	0,21 kg
MOH 310 701 G NPT	n.o.	1/4" NPT	1250 l/min	2 - 10 bar	3 W = / 5 VA ~	0,21 kg

MH 310 101 G/MH 310 121 G MOH 310 101 G/MOH 310 121 G



3/2-way solenoid valve normally closed (MH) or normally open (MOH) actuated by permanent signal and equipped with air spring return.

Valves can either be used in-line or to be assembled onto a manifold plate. Manifolds are displayed on page 2.7.1.5.

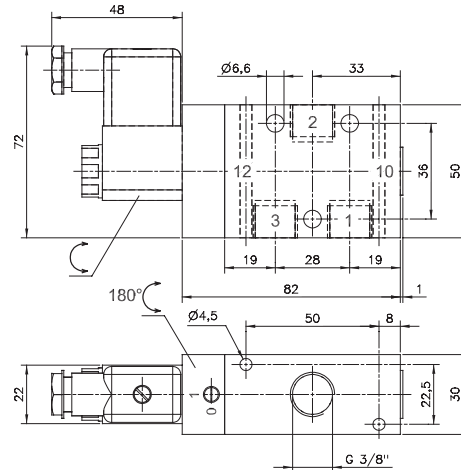
Normally open and normally closed products can be mixed on one plate.

Valves G1/2" have to be assembled onto the plate by fixing screws from the bottom through the plate into the valve.

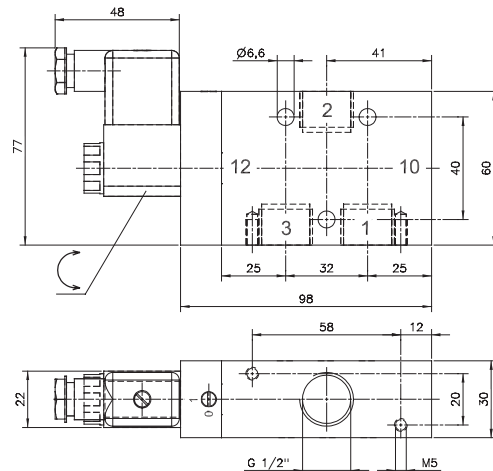
Available with solenoid operators:
230V/50Hz, 110V/50Hz, 24V/50Hz, 48V=
24V=, 12V=.

Valves are generally equipped with manual override.
If requested without manual override please order
M 310 ___ / MO 310 ___.

Please notice:
Do not close port 3 to convert into a 2-way valve.



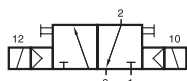
MH 310 101 G/MOH 310 101 G



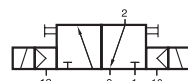
MH 310 121 G/MOH 310 121 G

Type	Function	Port size	Air flow	Operating press.	Power consumption	Weight
MH 310 101 G	n.c.	G 3/8"	2250 l/min	1,5 - 10 bar	3 W = / 5 VA ~	0,41 kg
MH 310 121 G	n.c.	G 1/2"	3000 l/min	1 - 10 bar	3 W = / 5 VA ~	0,53 kg
MOH 310 101 G	n.o.	G 3/8"	2250 l/min	1,5 - 10 bar	3 W = / 5 VA ~	0,41 kg
MOH 310 121 G	n.o.	G 1/2"	3000 l/min	1 - 10 bar	3 W = / 5 VA ~	0,53 kg

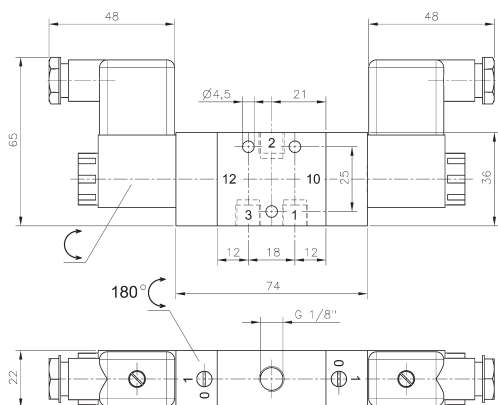
MH 320 501/MH 320 701/MH 320 801



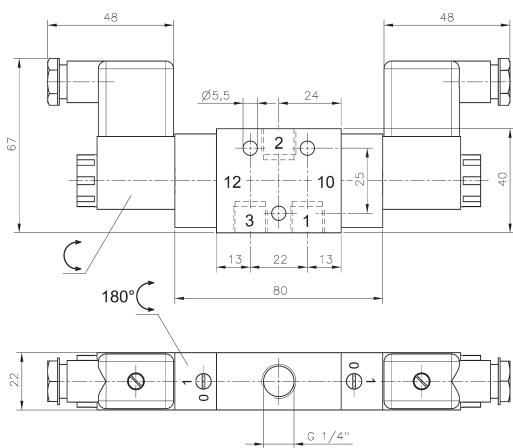
MH 320 501
MH 320 701
MH 320 801



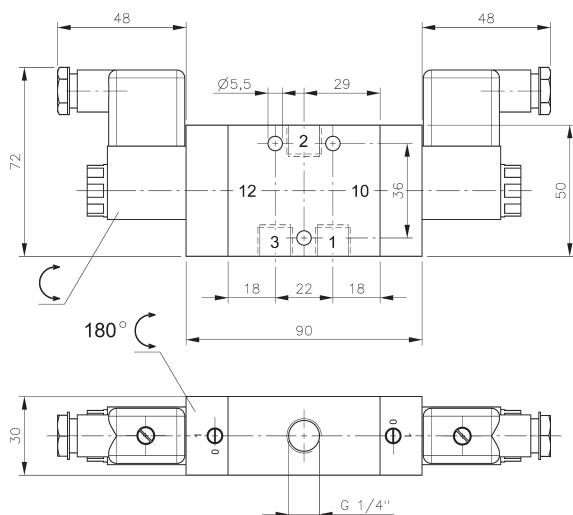
MEH 320 501
MEH 320 701
MEH 320 801



MH 320 501



MH 320 701



MH 320 801



3/2-way double solenoid valve actuated by impulse. Position is kept until an electrical signal is applied to the opposite side even when not attached to an electrical source.

Available with solenoid operators:
230V/50Hz, 110V/50Hz, 24V/50Hz, 48V=
24V=, 12V=.

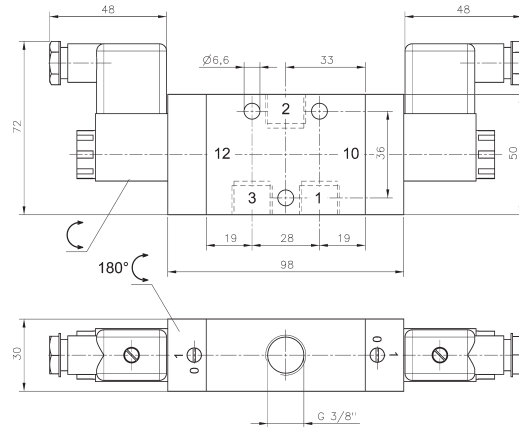
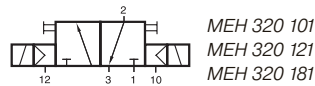
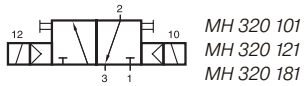
Valves are generally equipped with manual override. If requested without manual override please order type no. M 320 ____.

Valves are also available with external pilot feed.
Type: MEH 320 ____.
Port 12 series 501 and 701 M5, series 801 G 1/8".
Minimum actuation pressure: 2,5 bar.
Operating pressure: 0 - 10 bar.
Version for vacuum on request.

Type	Port size	Air flow	Operating press.	Power consumption	Weight
MH 320 501	G 1/8"	650 l/min	2 - 10 bar	3 W = / 5 VA ~	0,29 kg
MH 320 701	G 1/4"	1250 l/min	2 - 10 bar	3 W = / 5 VA ~	0,31 kg
MH 320 801	G 1/4"	1450 l/min	1,5 - 10 bar	3 W = / 5 VA ~	0,54 kg



MH 320 101/MH 320 121/MH 320 181



MH 320 101

3/2-way double solenoid valve actuated by impulse. Position is kept until an electrical signal is applied to the opposite side even when not attached to an electrical source.

Available with solenoid operators:
230V/50Hz, 110V/50Hz, 24V/50Hz, 48V=
24V=, 12V=.

Valves are generally equipped with manual override. If requested without manual override please order type no. M 320 ____.

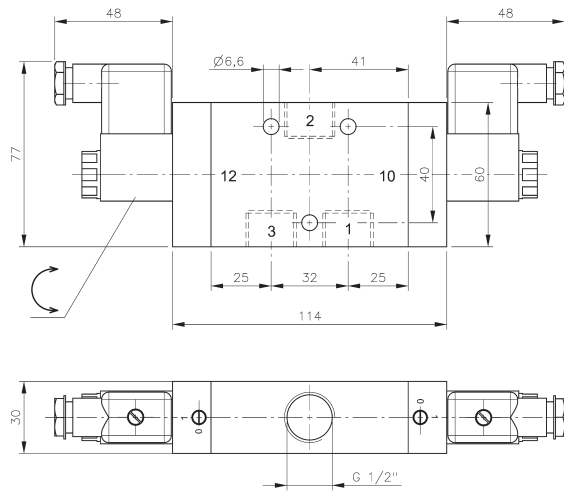
Valves are also available with external pilot feed.

Type: MEH 320 ____
Port 12: G 1/8".

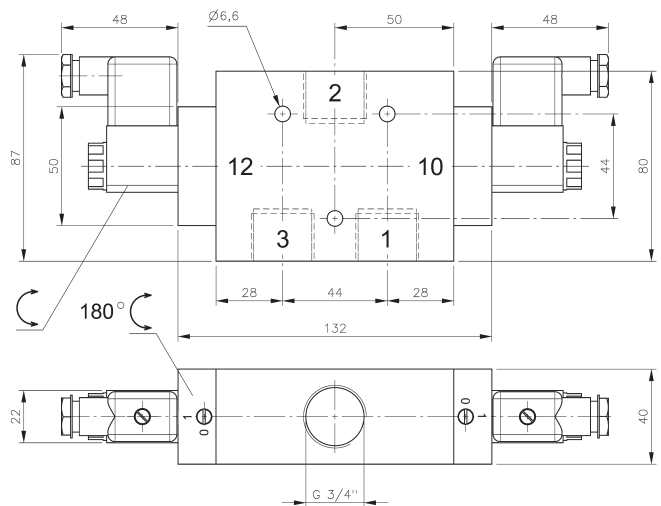
Minimum actuation pressure: 2,5 bar.

Operating pressure: 0 - 10 bar.

Version for vacuum on request.



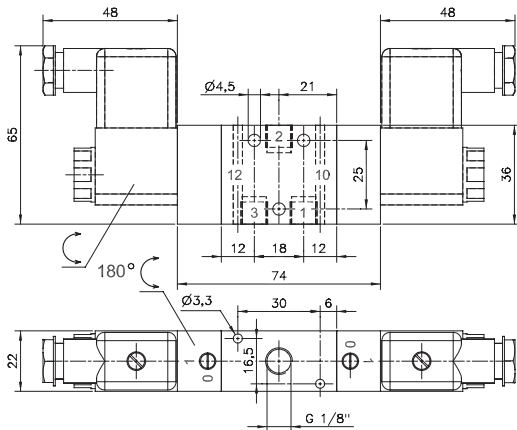
MH 320 121



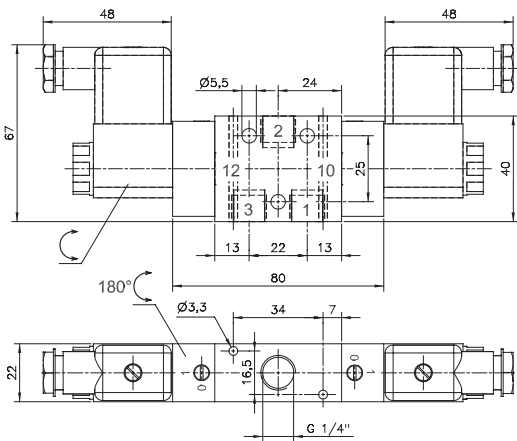
MH 320 181

Type	Port size	Air flow	Operating press.	Power consumption	Weight
MH 320 101	G 3/8"	2250 l/min	1,5 - 10 bar	3 W = / 5 VA ~	0,58 kg
MH 320 121	G 1/2"	3000 l/min	1 - 10 bar	3 W = / 5 VA ~	0,70 kg
MH 320 181	G 3/4"	6000 l/min	1 - 10 bar	3 W = / 5 VA ~	1,08 kg

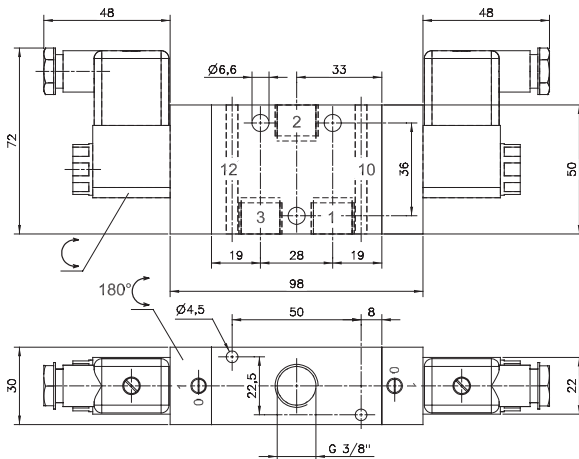
MH 320 501 G/MH 320 701 G MH 320 101 G/MH 320 121 G



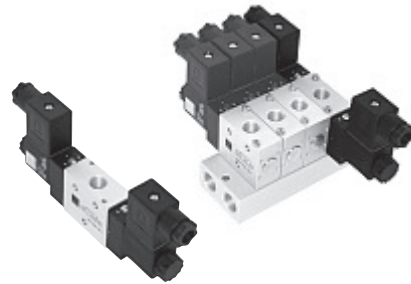
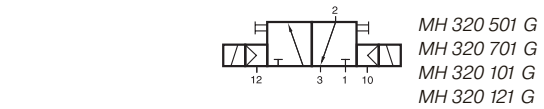
MH 320 501 G



MH 320 701 G



MH 320 101 G



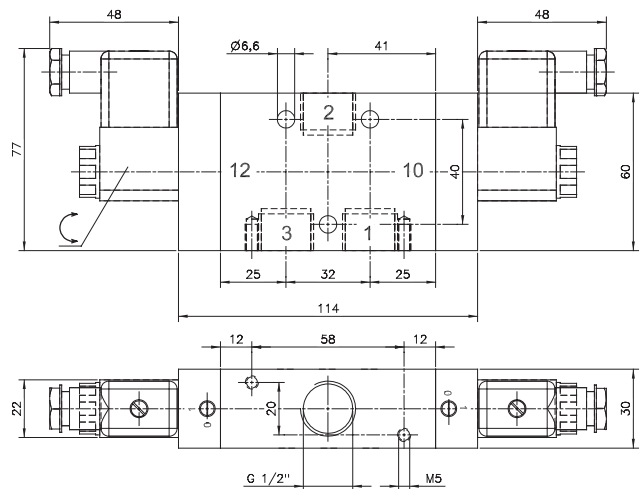
3/2-way double solenoid valve actuated by impulse. Position is kept until an electrical signal is applied to the opposite side even when not attached to an electrical source.

Valves can either be used in-line or to be assembled onto a manifold plate. Manifolds for valves type 501 G and 701 G are displayed on page 2.7.1.4, manifolds for valves type 101 G and 121 G are displayed on page 2.7.1.5.

Please notice: Valves G 1/2" have to be assembled onto the plate by fixing screws from the bottom through the plate into the valve.

Available with solenoid operators:
230V/50Hz, 110V/50Hz, 24V/50Hz, 48V=, 24V-, 12V=.

Valves are generally equipped with manual override. If requested without manual override please order M 310 ___ / MO 310 ___.



MH 320 121 G

Type	Port size	Air flow	Operating press.	Power consumption	Weight
MH 320 501 G	G 1/8"	650 l/min	2 - 10 bar	3 W = / 5 VA ~	0,29 kg
MH 320 701 G	G 1/4"	250 l/min	2 - 10 bar	3 W = / 5 VA ~	0,31 kg
MH 320 101 G	G 3/8"	2250 l/min	1,5 - 10 bar	3 W = / 5 VA ~	0,58 kg
MH 320 121 G	G 1/2"	3000 l/min	1 - 10 bar	3 W = / 5 VA ~	0,70 kg