



A250 Limit Switch Boxes

PROVAL A250 Series limit switch boxes are used on rotary valve actuators to generate open/close signal and monitor the valve position.

General Features,

- 3D continuous visual position indicator
- Easily adjustable spring forced CAM system
- Standard IP67 enclosure
- 2 pcs Open/Close mechanical or proximity switches
- Easily adjustable brackets and suitable for all NAMUR VDI/VDE interface actuators
- Terminal strip with 8 points angled to allow for easy wiring and direct connection of solenoid valve inside the switch box.

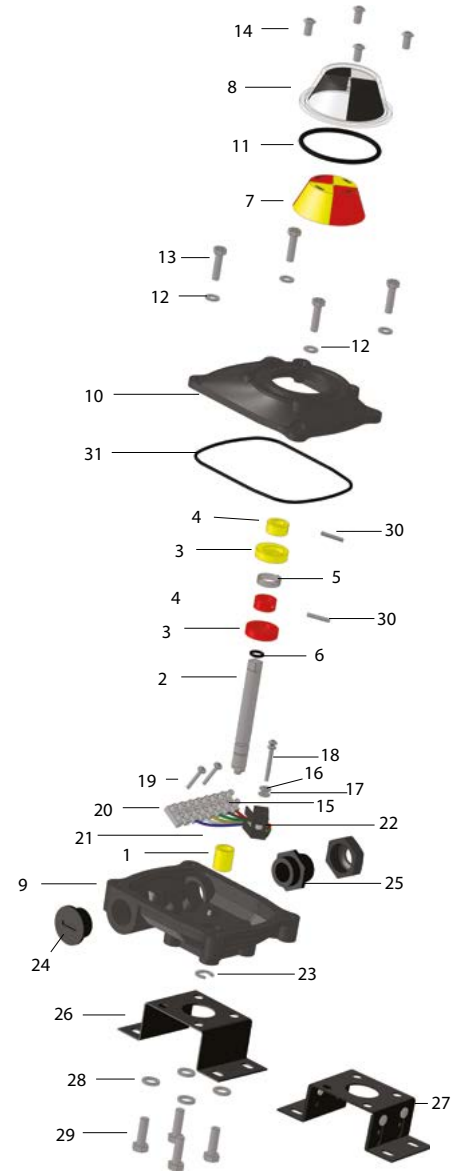


A250 PSM-PSP

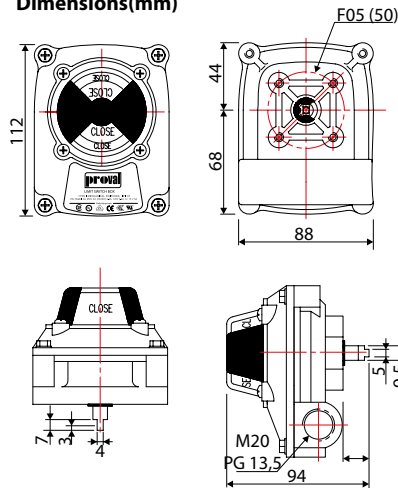
Standard Switch Boxes

No	Part Name	Material	Qty
1	Bushing	Brass	1
2	Pinion	SS420	1
3	Cam-1	Delrin	2
4	Cam-2	Delrin	2
5	Spring	SS420	1
6	Stem O-Ring	NBR	1
7	O/C Indicator	ABS	1
8	Cover	ABS	1
9	Body	Alu Die Cast	1
10	Cap	Alu Die Cast	1
11	O-Ring	NBR	1
12	Washer	SS304	4
13	Cap Screw	SS304	4
14	Screw	SS304	4
15	Switch		2
16	Spacer Bushing	Plastic	2

No	Part Name	Material	Qty
17	Washer	SS304	2
18	Switch Screw	SS304	2
19	Terminal Screw	SS304	2
20	Terminal	Plastic	1
21	Terminal Cable Screw	SS304	16
22	Cable Set		1
23	Circlip	SS304	1
24	Blind Plug	Plastic	1
25	Plug	Plastic	1
26	MB1 Braket	Steel	1
27	MB2 Braket	Steel	1
28	Adjustment Washer	SS304	4
29	Bolt	SS203	4
30	Cam Pin	Stem Steel	2
31	Body Seal Ring	NBR	1



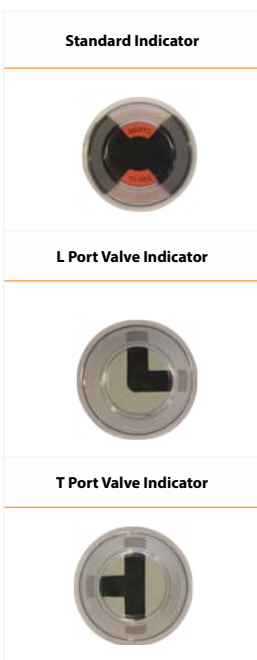
Dimensions(mm)



Model	Switch Brand	Switch Type
A250 PSM-1	Zippy	Micro
A250 PSM-2	Crouzet	EF83161.3
A250 PSP-1	P+F	NBB2-V3-E2
A250 PSP-2	P+F	NJ2-V3-N
A250 PSP-3	P+F	SJ3,5-N
A250 PSP-4	IFM	ISS076
A250 PSP-5	P+F	NBB3-V3-Z4

Bracket Dimensions

Model	Bracket Type	Mounting Dimension
MB-1		30x80 H: 20
MB-2		30x80 - 30x130 H: 20-30 Adjustable
MB-3		30x80 - 30x130 H: 40-50 Adjustable

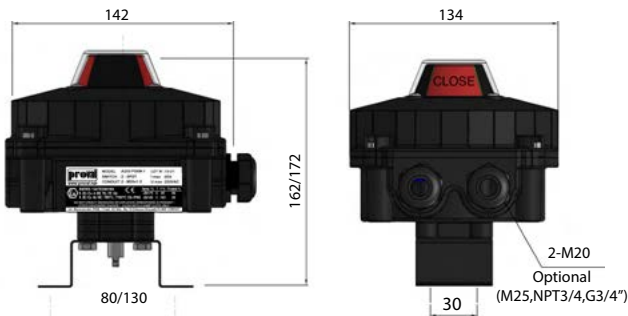


A250 Series Explosion Proof Limit Switch Boxes

A250 PPROVAL A250 PSX Series limit switch boxes are designed to integrate with pneumatically actuated quarter turn valve packages installed in potentially explosive environments and provide both visual and electrical indication of valve position.

General Features,

- Powder coated, corrosion resistant die-cast alu body
- 3D continuous visual position indicator
- Easily Adjustable, spring loaded cams
- Standard IP66 enclosure
- 2 Pc mechanical switches or Inductive sensors
- Easily adjustable brackets and suitable for all NAMUR VDI/VDE interface actuators
- Terminal strip with 8 points to allow for easy wiring and direct connection of solenoid valve inside the switch box.
- Applicable also on manual valves.



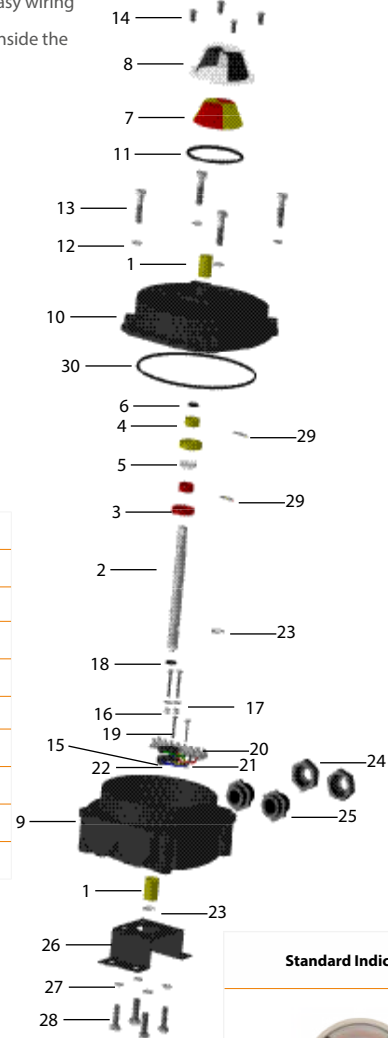
No	Part Name	Material	Qty
1	Bushing	Brass	2
2	Stem	AISI420	1
3	Cam-1	Delrin	2
4	Cam-2	Delrin	2
5	Spring	AISI301	1
6	Stem O-Ring	NBR	2
7	Indicator	ABS	1
8	Indicator Cam	Polikarbon	1
9	Body	Alu Die Cast	1
10	Cap	Alu Die Cast	1
11	Indicator Seal Ring	NBR	1
12	Thrust Washer	AISI304	4
13	Screw Cap	AISI304	4
14	Screw Indicator	AISI304	4
15	Limit Switch	Plastic	2
16	Switch Thrust Washer	AISI304	2
17	Spacer Bushing	Plastic	2
18	Screw	AISI304	2
19	Screw	AISI304	2
20	Terminal Strip	Plastic	1
21	Cable lug	Copper	16
22	Terminal Cable Set	Copper	1
23	Circlip	AISI304	2
24	Nut Cable Gland	Plastic/Metal	1
25	Cable Gland	Plastic/Metal	1
26	Bracket	Steel	1
27	Thrust Washer	AISI304	4
28	Bolt	AISI304	4
29	Pin	Steel	2
30	Body Seal Ring	NBR	1

Explosion Proof Classification	Ex II 2 GD
	Ex d II B T6 / T5 Gb
	Ex tb IIIC T85°C ~ 100°C Db IP66
Switch Type	Mechanical (Crouzet V3)
	Proximity (IFM/Pepperl+Fuchs)
Conduit Entry	Max 4, M15/M20 or M25
Working Temp.	-20°C K8 +80°C
Terminal Strip	8 Points
Protection Class	IP66
Weight	2 Kg

Model	Switch	Model
A250 PSXM	Crouzet	EF83161.3
A250 PSXP1	P+F	NBB2-V3-E2
A250 PSXP2	P+F	NJ2-V3-N
A250 PSXP3	P+F	SJ3,5-N
A250 PSXP4	IFM	IS5076
A250 PSXP-5	P+F	NBB3-V3-Z4

Bracket Sizerleri

Model	Bracket Type	Mounting Dimensions
MB-1		30x80 H: 20
MB-2		30x80 - 30x130 H: 20-30 Adjustable
MB-3		30x80 - 30x130 H: 40-50 Adjustable



Standard Indicator



L Port Valve Indicator



T Port Valve Indicator

